



**Chicago
Pneumatic**

Tools Renewed Inc
Tel: 800-247-3639
Fax: 865-665-9821
Email: sales@toolsrenewed.com

Tampers

Backfill

Applications: CP backfill tampers are designed to effectively compact soil around foundations and other structures and for compacting backfill in trenches.

The CP-0003 is designed to handle light-to-medium applications; the CP-0004RV is the ideal tool for heavier jobs.

Features

CP-0003 and CP-0004RV

- Maximum power – slow, powerful blows efficiently and quickly compact all types of backfill, including clay and soils containing high percentages of finely crushed or powdered material
- Heat-treated cylinder and chrome plated piston - significantly extend tool life
- Adjustable packing - maintains a positive air seal
- Butt held with clamp screw - for quick, easy replacement
- Exhaust deflector – directs air, moisture and oil away from operator
- Integral oiler - continuously lubricates tool during operation
- Well balanced, smooth operating tool - easily guided by one person



CP-0003



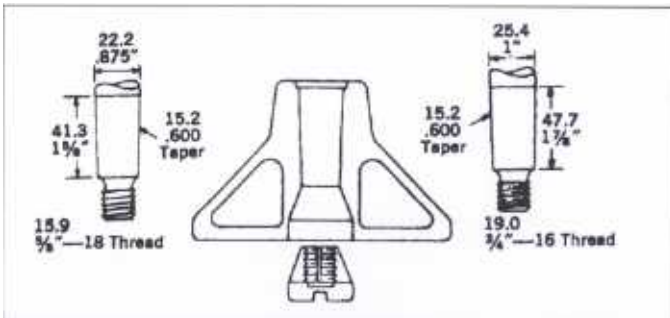
CP-0004

All Models: 1/2" (NPTF) air inlet thread; air consumption: CP-0003 18 cfm at 90 psi, CP-0004RV 28 cfm at 90 psi, aluminum butt.

Catalog Number	Part Number	Valve Type	Bore and Stroke mm (in.)	Blows per minute	Net Weight kg (lb.)	Overall Length mm (in.)	Piston Rod	
							Body Dia. mm (in.)	Butt Size mm (in.)
CP-0003	T019307	Simple Valve	36.5 x 152.4 (1 7/16 x 6)	800	13.6 (30)	1320 (52)	22.2 (7/8)	127.0 (5)
CP-0004-RV	T022292	Ring Valve	57.2 x 152.4 (2 1/4 x 6)	780	19.0 (42)	1270 (50)	25.4 (1)	158.8 (6 1/4)

Accessories

Butts for CP-0003 and CP-0004RV Tamper



Mufflers for CP-0003 and CP-0004RV Tampers

Description	Part No.
CP-0003	P126126
CP-0004-RV	P125807

Backfill Tamper Butt Part Numbers			
Diameter mm (in.)	Material	CP-0003	CP-0004RV
63.5 (2 1/2)	Aluminum	-	P138879
127.0 (5)	Aluminum	P089008	-
158.8 (6 1/4)	Aluminum	-	P089050