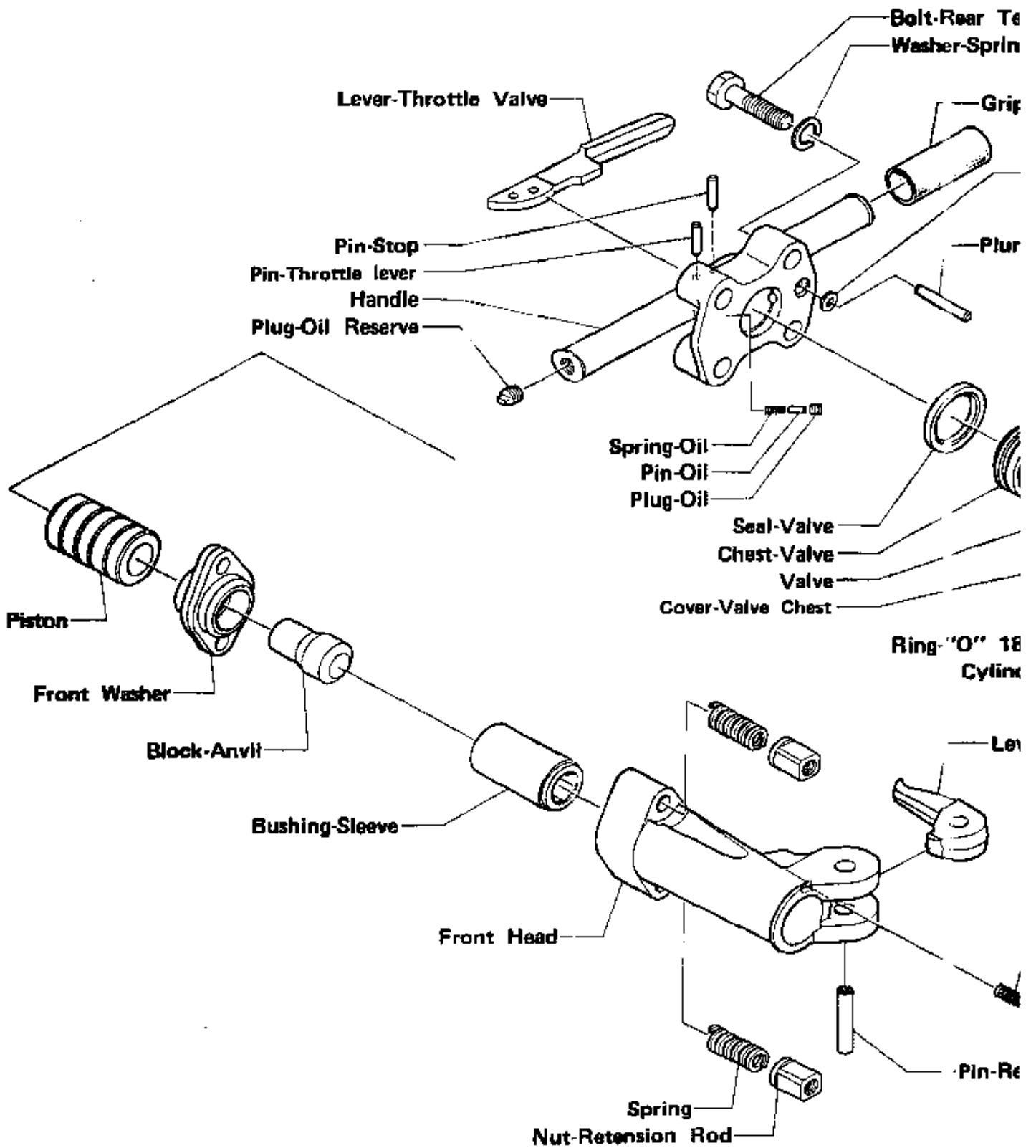
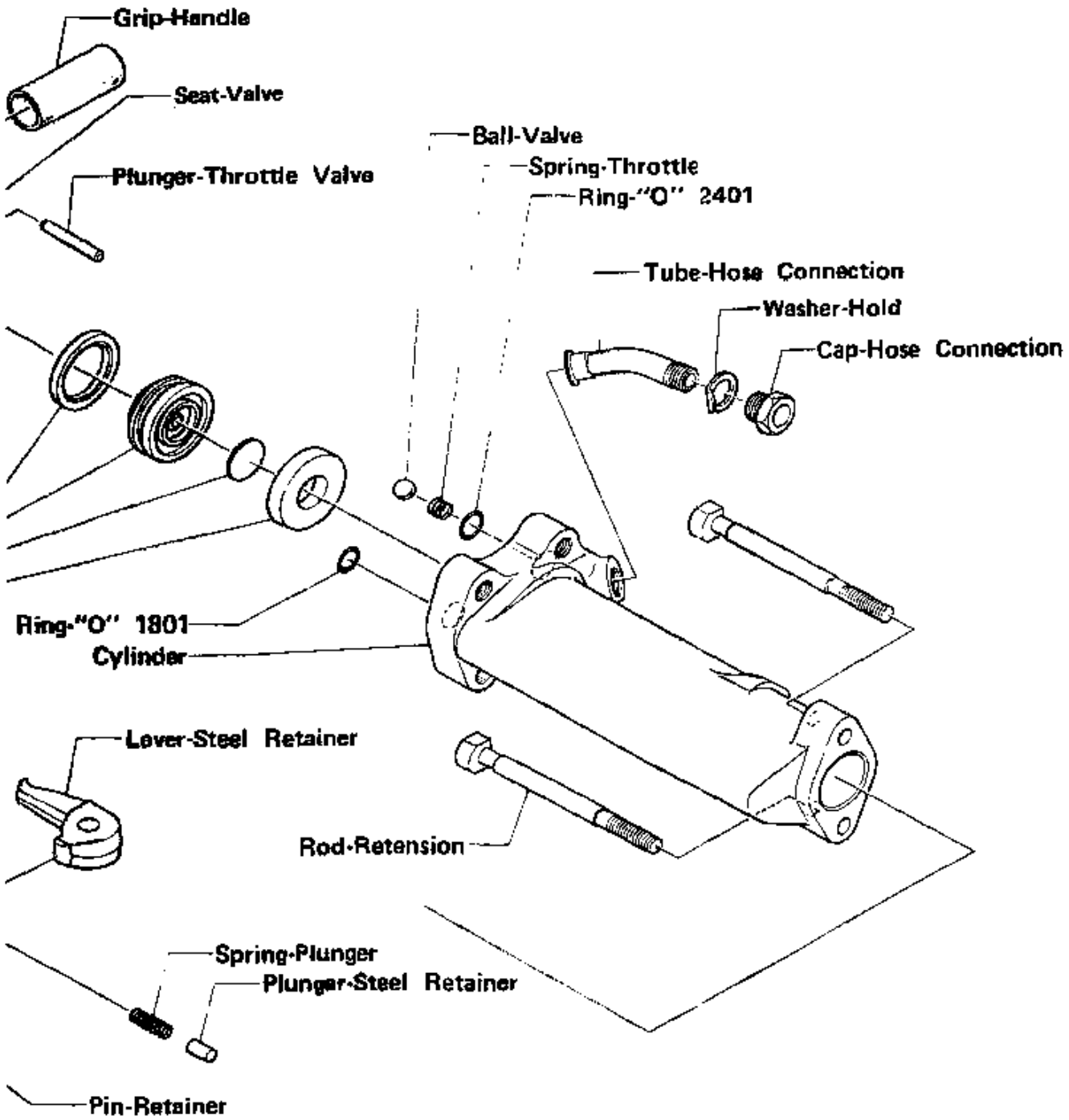


**EXPLODED VIEW OF TYB-60 CONCRETE BREAKER.**



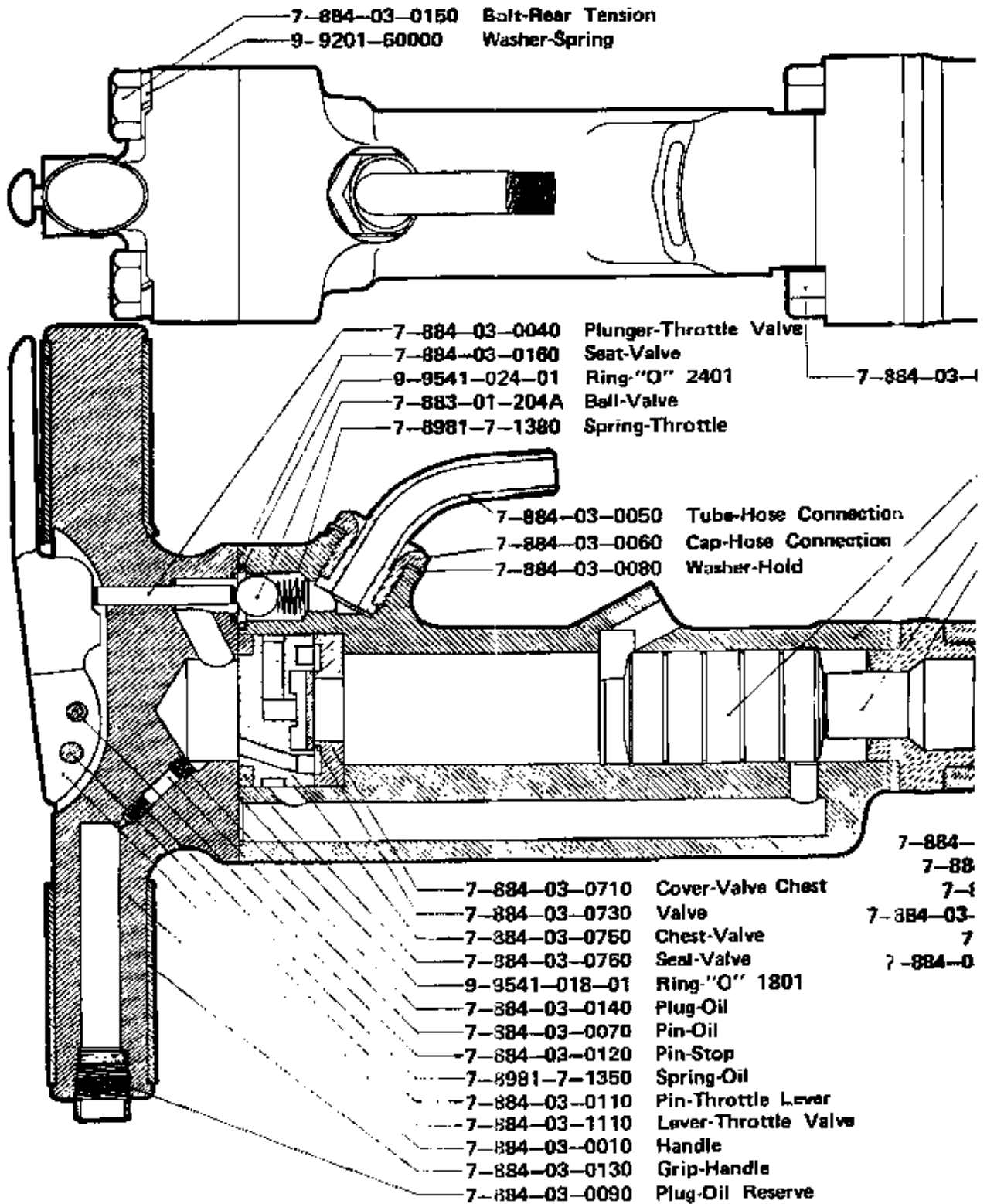
**For Parts Call Tools Renewed (800) 247-3639 Fax (860) 665-9821**

**Bolt-Rear Tension**  
**Washer-Spring**

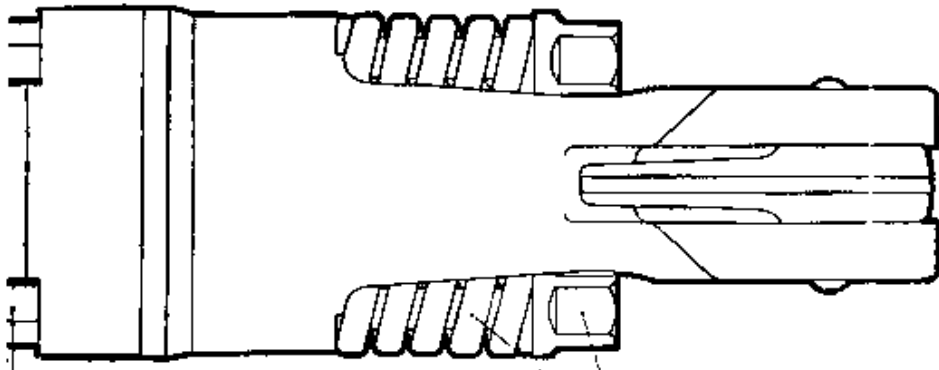


**For Parts Call Tools Renewed (800) 247-3639 Fax (860) 665-9821**

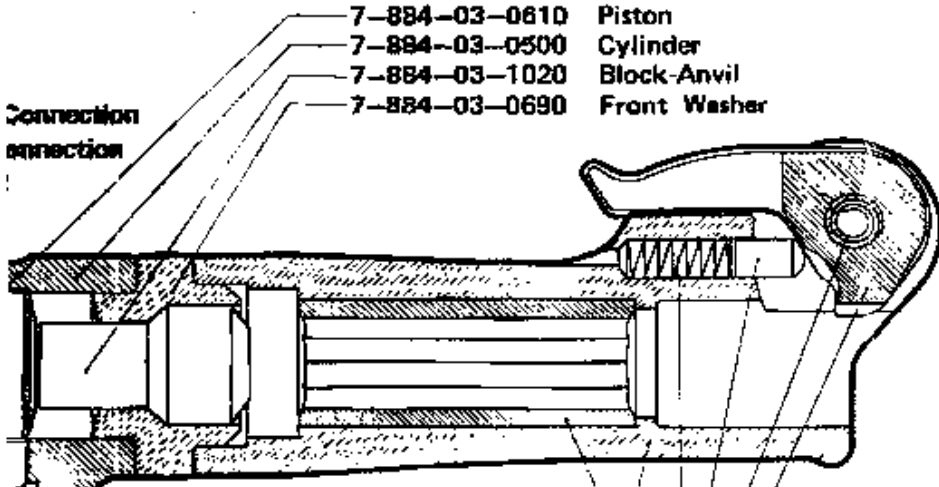
**GENERAL VIEW AND PARTS OF TYB-60 CONCRETE BREAKER UNIT.**



**For Parts Call Tools Renewed (800) 247-3639 Fax (860) 665-9821**

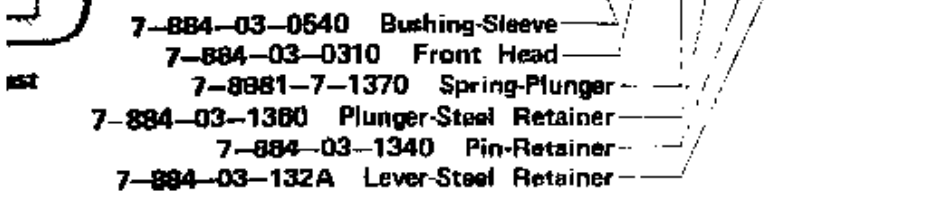


- 7-884-03-0360 Rod-Retention
- 7-884-03-0360 Nut-Retention Rod
- 7-8981-7-1360 Spring



Connection  
connection

- 7-884-03-0610 Piston
- 7-884-03-0500 Cylinder
- 7-884-03-1020 Block-Anvil
- 7-884-03-0690 Front Washer



ist

- 7-884-03-0540 Bushing-Sleeve
- 7-884-03-0310 Front Head
- 7-8981-7-1370 Spring-Plunger
- 7-884-03-1380 Plunger-Steel Retainer
- 7-884-03-1340 Pin-Retainer
- 7-884-03-132A Lever-Steel Retainer

vor  
Valve

8