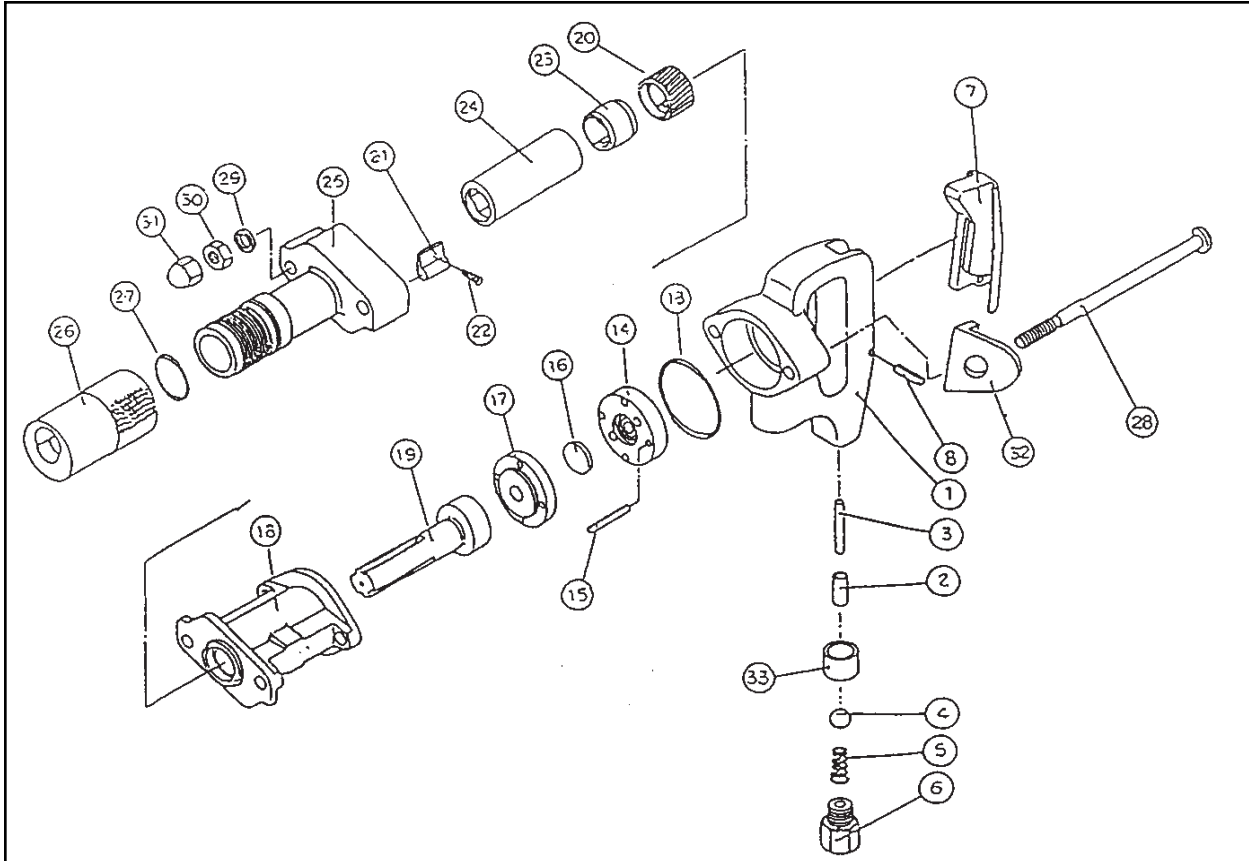


TOKU Model THD-1100U Rock Drill (15 lb)



Index	Part No.	Description	Index	Part No.	Description
1	Y10103010	Handle	20	Y10103190	Piston
2	Y1010301A	Handle CP	21	Y10103200	Ratchet Ring
3	Y10103020	Throttle Valve Bushing		Y10103210	Rotation Pawl (Non Rev)
4	Y10103030	Push Rod	23	Y10103230	Guide Nut
5	Y10103040	Valve Ball	24	Y10106240	Chuck
6	Y10601070	Inlet Valve Spring	25	Y1010624A	Chuck CP
7	Y10106060	Inlet Adapter NPT 3/8"	26	Y10106250	Front Cover **Discontinued**
8	Y1010307A	Throttle Lever	27	Y10106260	Closed Retainer
13	Y10103080	Spring Pin	28	Y10106270	O-Ring
14	Y10101140	O-Ring	29	Y10103280	Through Bolt
15	Y10103140	Valve Chest	30	Y10103290	Lock Washer
16	Y10103150	Valve Knock Pin	31	Y10103300	Hex Nut
17	Y10103160	Valve	32	Y10103310	Nut
18	Y10103170	Valve Seat	33	Y10103350	Washer Sup-2
19	Y10113180	Cylinder		Y10106330	Valve Ring

Tools Renewed Inc

Tel: 860-665-8155 Fax: 860-665-9821 Email: sales@toolsrenewed.com Web: www.toolsrenewed.com