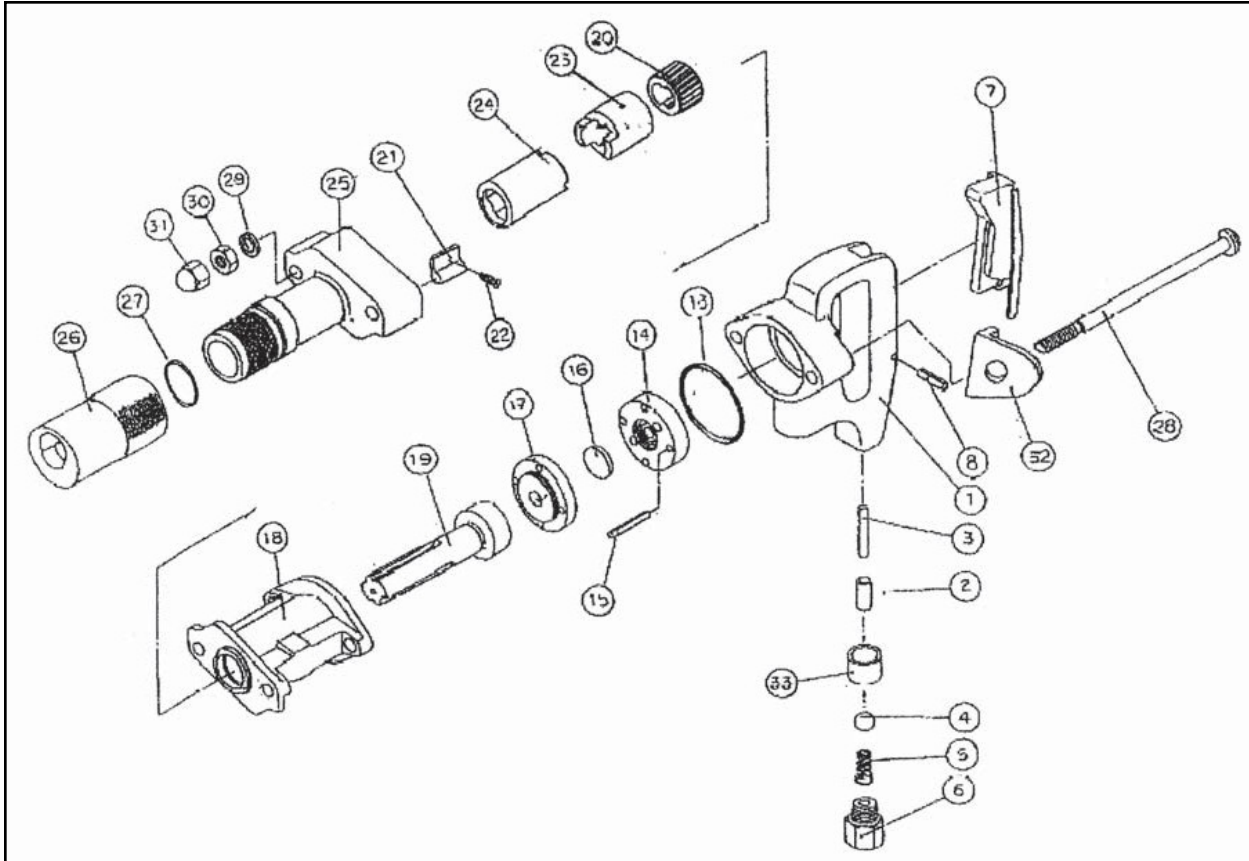


## TOKU Model THD-1100N Rock Drill (15 lb)



Index	Part No.	Description	Index	Part No.	Description
1	Y10103010	Handle	19	Y10103190	Piston
	Y1010301A	Handle Complete	20	Y10113200	Ratchet Ring
2	Y10103020	Throttle Valve Bushing	21	Y10103210	Rotation Pawl (Non Rev.)
3	Y10103030	Push Rod	22	Y10103220	Pawl Spring
4	Y10103040	Valve Ball	23	Y10113230	Guide Nut
5	Y10601070	Inlet Valve Spring	24	Y10113240	Chuck
6	Y10106060	Inlet Adapter NPT 3/8"	25	Y10113250	Front Cover
7	Y1010307A	Throttle Lever	26	Y10106260	Closed Retainer
8	Y10103080	Spring Pin	27	Y10106270	O-Ring P-42
13	Y10101140	O-Ring P-49	28	Y10103280	Through Bolt
14	Y10103140	Valve Chest	29	Y10103290	Lock Washer
15	Y10103150	Valve Knock Pin 5 x 20	30	Y10103300	Hex Nut
16	Y10103160	Valve	31	Y10103310	Nut
17	Y10103170	Valve Seat	32	Y10103350	Washer Sup-2
18	Y10113180	Cylinder	33	Y10106330	Valve Ring

Tools Renewed Inc

Tel: 860-665-8155 Fax: 860-665-9821 Email: sales@toolsrenewed.com Web: www.toolsrenewed.com