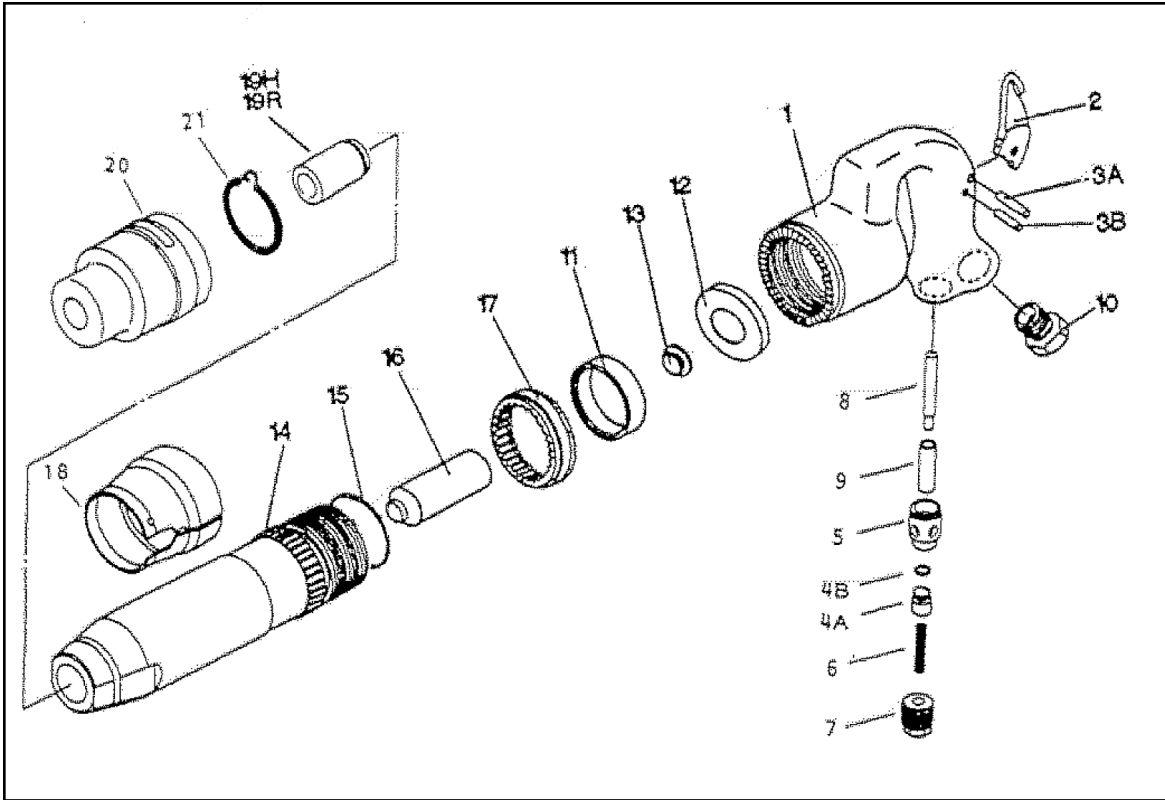


## TOKU MODEL THA-1,2,3,4 CHIPPING HAMMER



Index	Part No.	Description	Index	Part No.	Description
1	Y10270010	Handle (Bare)	13	Y10270130	Valve Seat
	Y1027001A	Handle Complete	14	Y10274140	Cylinder THA-1B
2	Y10212020	Lever		Y10276140	Cylinder THA-2B
3A	Y10212030	Roll Pin		Y10270140	Cylinder THA-3B
3B	Y30104030	Roll Pin		Y10278140	Cylinder THA-4B
4A	Y10212050	Throttle Valve	15	Y10212320	O-Ring P-50
4B	Y10212060	Throttle O-Ring	16	Y10212210	Piston THA-1B
5	Y10212070	Throttle Valve Bushing		Y10214210	Piston THA-2B
6	Y10301070	Throttle Valve Spring		Y10216210	Piston THA-3B
7	Y10212090	Throttle Valve Cap		Y10218210	Piston THA-4B
8	Y10212100	Push Rod	17	Y10270170	Clutch
9	Y10212110	Push Rod Sleeve	18	Y30112200	Exhaust Band
10	Y10212120	Screw Bushing NPT	19H	Y1021224H	Shank Bushing (Hex)
11	Y10246140	Ring Valve	19R	Y1021224R	Shank Bushing (Round)
12	Y10270120	Plate Valve	20	T25119002	Retainer
			21	Y10212300	Retainer Spring

Tools Renewed Inc

Tel: 800-247-3639 Fax: 860-665-9821 Email: sales@toolsrenewed.com

Web: www.toolsrenewed.com