



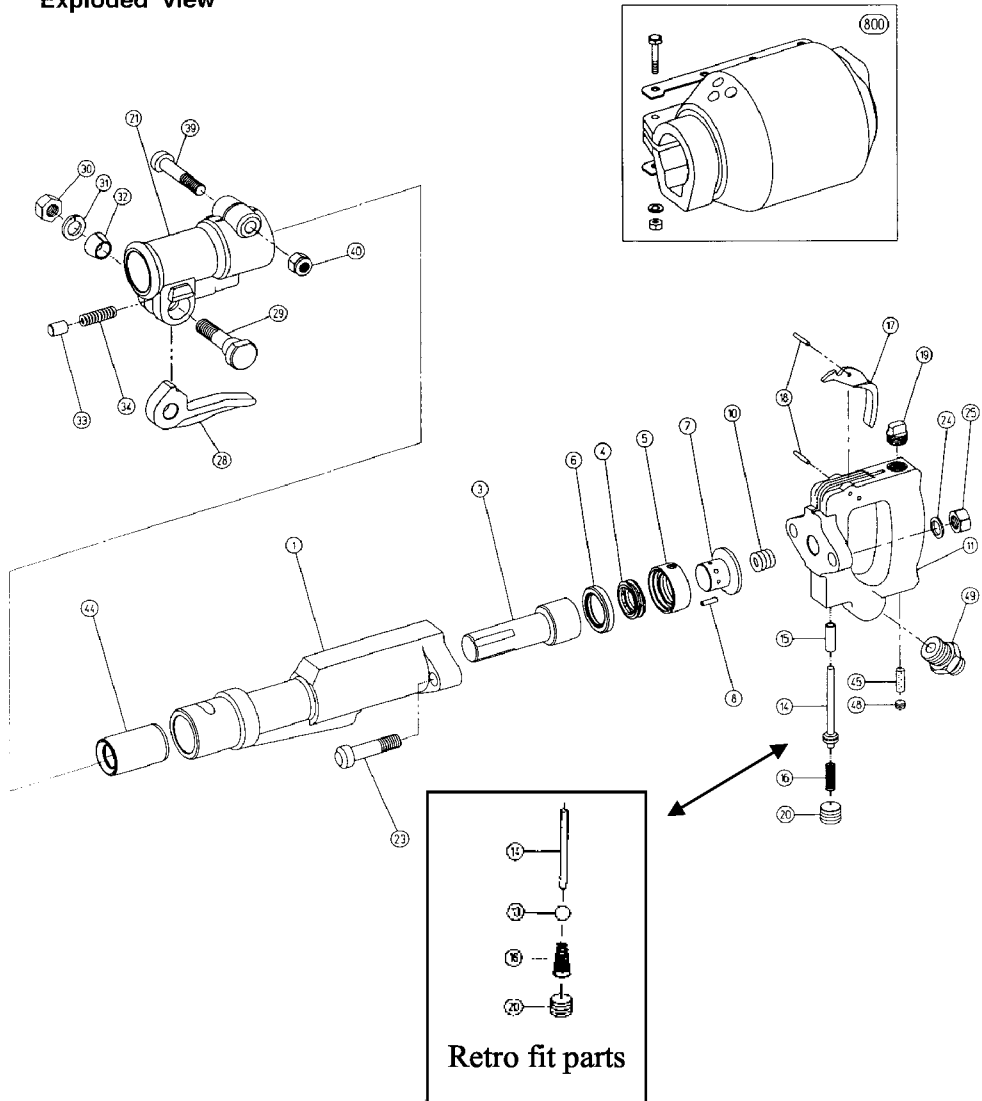
TOKU PNEUMATIC PRODUCTS

# TCD-20

## 20# CLAY DIGGER

TOKUCD-20-7/8

Exploded view



## TCD-20 - 20# CLAY DIGGER

SYM #	Part No	DESCRIPTION (TCD-20)
1	410207010	CYLINDER
3	410207040	PISTON
4	410207150	VALVE
5	410207190	VALVE CHEST
6	410207170	VALVE SEAT
7	410207200	VALVE GUIDE
8	130401025 +	VALVE CHEST DOWEL PIN
10	130801023 +	PLUNGER SPRING
11	410207480	BACK HEAD
13R	130505036^	POLYURETHANE BALL 9/16
14	410207270	THROTTLE VALVE
14R	410207E00^	THROTTLE PIN
15	410221300	THROTTLE VALVE STEM
16	130801024	THROTTLE VALVE SPRING
16R	130801030^	THROTTLE VALVE SPRING
17	410207120	TRIGGER
18	130401024	TRIGGER PIN
19	410211770	OIL PLUG
20	134904004	GD PLUG (NPTF ½)
21	410201530 +	FRONT HEAD
23	410207500	BACK HEAD BOLT
24	131313114	CONICAL SPRING WASHER
25	134201015	BACK HEAD BOLT NUT
28	410201610 +	STEEL RETAINER
29	410201621 +	STEEL RETAINER BOLT
30	134601016	NYLON NUT
31	131301116	SPRING WASHER M16
32	410201640 +	STEEL RETAINER BOLT
33	410201650 +	STEEL RETAINER PLUNGER
34	130801028 +	STEEL RETAINER SPRING
39	410201540 +	FRONT HEAD BOLT
40	134201012 +	NYLON NUT (UNF ½)
44	410207570	FRONT HEAD BUSHING
45	136101011	OIL CONTROL FELT
48	134903001	GDI PLUG (NPTF 1/8)
49	410207360	AIR INLET

+ SAME AS TPB-30

PRICING IS BASED ON 2005 PRICE. LIST PRICES ARE SUBJECT TO CHANGE WITHOUT NOTICE.

^ RETRO FIT PARTS 14R, 16R, & 22R AS A SET CAN BE USED IN PLACE OF SET 14/16, PLEASE SEE SCHEMATICS.