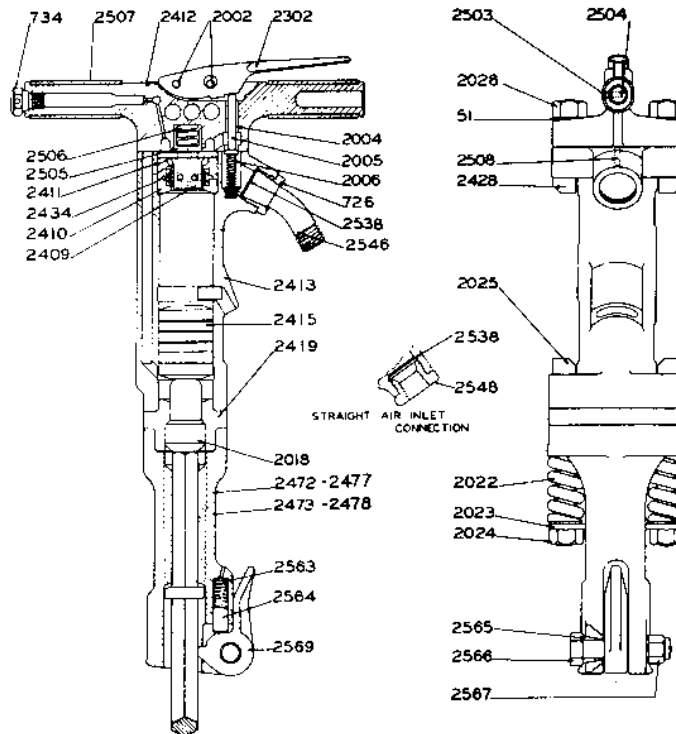


OLD PART NO.	NEW PART NO.	REF. NO.	NAME OF PART	OLD PART NO.	NEW PART NO.	REF. NO.	NAME OF PART
			HANDLE				
C734	43175	2027	Oil Plug	C2415	43462	5810	Piston Hammer
C2507	43476	1299	Rubber Grip	C2419	43463	5811	Tappet Seat
C2002	43393	1292	Throttle Valve Lever Pin	C2018	43408	61	Tappet
C2302	43428	1296	Throttle Lever	C2508	43477	5701	Valve Chest Dowel Pin
C2004	43395	1294	Throttle Valve Stem Guide	C7525	45259	5713	Air Swivel "O" Ring
C2005	43396	1285	Throttle Valve				FRONTHEAD
C2006	43397	1291	Throttle Valve Spring	C2025	43415	1128	Fronthead Bolt
C2506	43475	1298	Plunger Spring	C2022	43412	1290	Fronthead Spring
C2505	43474	1297	Plunger	C2023	43414	1289	Fronthead Bolt Lock Washer
C2504	43473	1284	Oil Control Felt	C2024	43414	1129	Fronthead Bolt Nut
C2503	68073	1286	Oil Control Plug	C2565	43523	5719	Rubber Retainer Bolt Bush
C2028	43418	2025	Backhead Bolt Nut	C2565S	45605	1131	Steel Retainer Bolt Bush
C51	43007	2026	Backhead Bolt Lock Washer	C2569	43527	1136	Steel Retainer
C38206	45353	5706	Backhead Seal "O" Ring	C2566	43524	1132	Steel Retainer Bolt
			CYLINDER	C2567	43525	1133	Steel Retainer Bolt Nut
C726	43169	1295	Air Inlet Swivel Nut	C2563	43521	1288	Steel Retainer Plunger Spring
C2538	43510	1301	Air Inlet Screen	C2564	43522	1287	Steel Retainer Plunger
C2546	43512	1300	Air Inlet Swivel Includes 5713	C2056	43425	5809	Sheeting Driver Head Bolt



Includes 2025, 2026