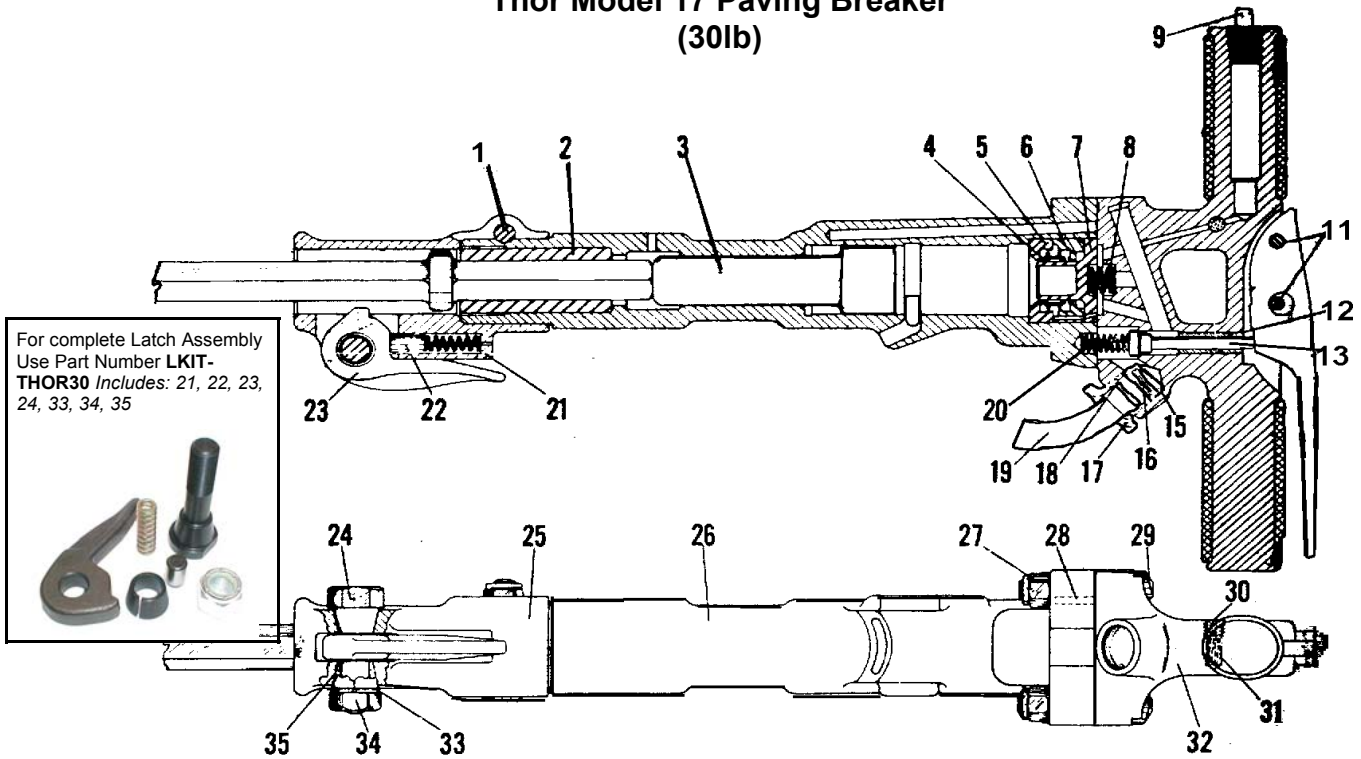


**Thor Model 17 Paving Breaker
 (30lb)**



Index No.	Part No.	Description	Index No.	Part No.	Description
1	47947	Bolt-Fronthead	19	43791	Inlet Swivel Pipe
1A	91126	Nut-Fronthead Bolt	20	43047	Spring-Throttle Valve
2	43024	Chuck Bushing 7/8"X3-1/4"Hex	21	43785	Spring-Retainer
	43025	Chuck Bushing 1"X4-1/4" Hex	22	43788	Plunger-Retainer
3	43028	Piston Hammer	23	43784	Steel Retainer
4	43038	Automatic Valve	24	43787	Bolt
5	43036	Valve Chest (front)	25	43781	Fronthead Complete for 4-1/4" shank
6	43037	Valve Chest (rear)	25A	43782	Fronthead Complete for 3-1/4" shank
7	43039	Valve Guide Plate	25B	43783	Fronthead 4-1/4" shank
8	43042	Backhead Spring	25C	43789	Fronthead 3-1/4" shank
9	43399	Oil Plug	26	43026	Cylinder
10	43476	Rubber Grip	27	49019	Nut-backhead bolt
11	43393	Throttle Lever Pin	28	43043	Dowel Pin
12	43395	Stem Bushing	29	49020	Bolt-Backhead
13	46893	Throttle Valve	30	68073	Oil Control Plug
14	43428	Throttle Lever	31	43473	Oil Control Felt
15	43044	Air Screen	32	44011	Backhead Complete
16	47754	Air Inlet Spring	33	43143	Lockwasher
17	43792	Swivel Nut	34	43790	Nut
18	91108	O-Ring- Inlet Swivel	35	43786	Bushing