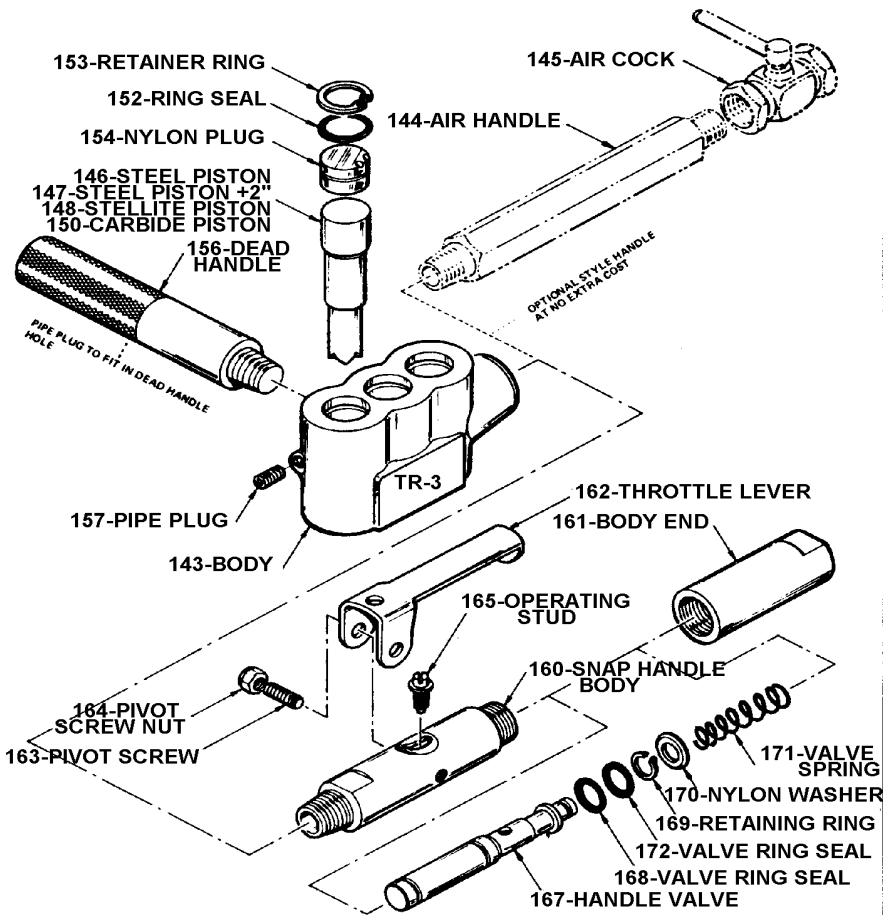
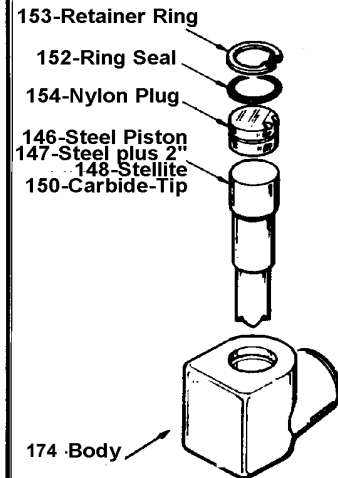


PARTS FOR PISTON SCALERS
PNEUMATIC TOOL SALES (PTS) Model 11 (single) and 326 (triple)
TEXAS PNEUMATIC S-1 (single) and T-3 (triple) PISTON SCALER
CLECO SC-3A (triple) PISTON SCALER

TRIPLE PISTON

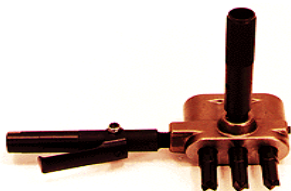


SINGLE PISTON



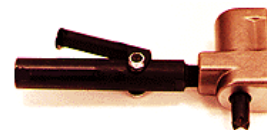
New Scabblers available

Model#	Stroke	Length	Weight	Bore	Inlet	BPM	Min Hose Size	CFM
S1	13/16"	9"	4LBS. 8 OZ.	7/8"	3/8"	4000	3/8" ID	9
T3	13/16"	11"	8LBS. 4 1/2 OZ.	7/8"	3/8"	5200	3/8" ID	15



T3

Available with carbide tipped or steel pistons



S1

You order today, We ship today!