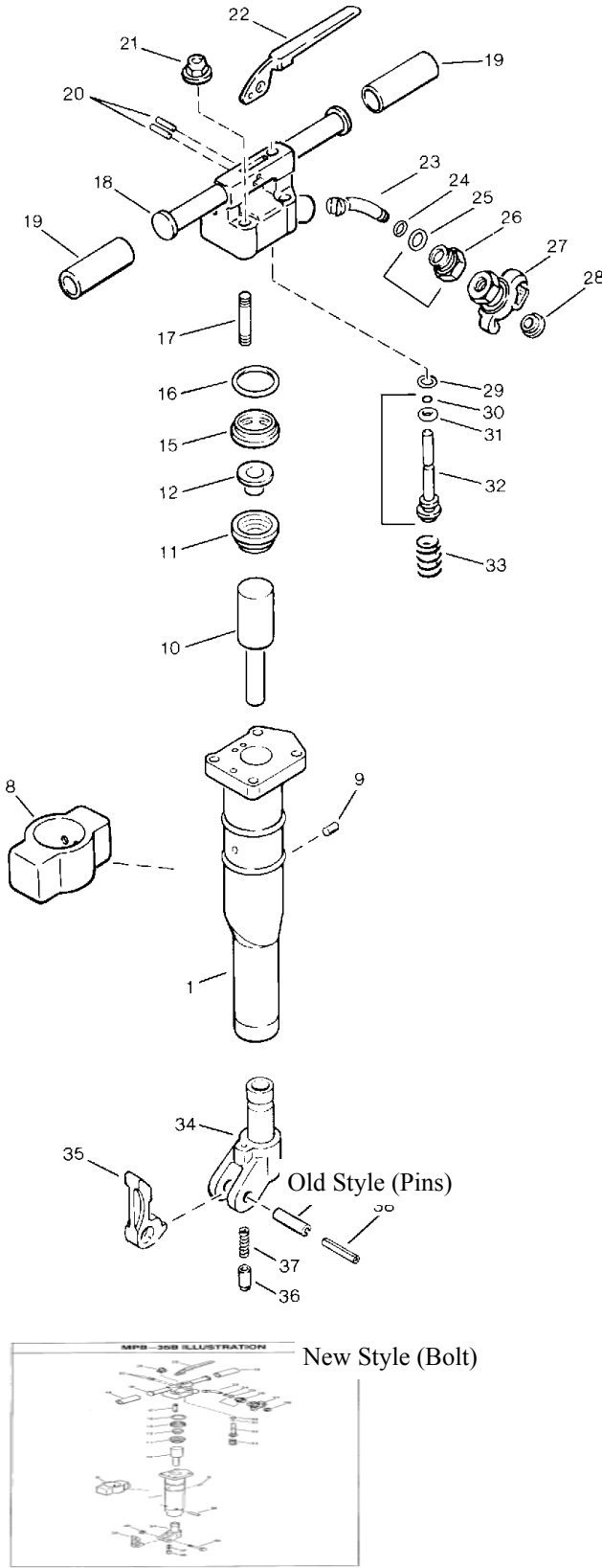


Parts for Sullair MPB-35A & MPB-35B Paving Breaker



| Index | Part No. | Old Part No. | Description |
|--------|--------------|--------------|---------------------------------|
| 1 | 68723004 | 250039-928 | Cylinder |
| 8 | 68722741 | 250039-933 | Deflector, Exhaust |
| 9 | 68524129 | 250027-388 | Pin, Exhaust Deflector |
| 10 | 68780267 | 250039-929 | Piston |
| 11 | 68722738 | 250039-930 | Seat, Valve |
| 12 | 68722740 | 250039-931 | Valve, Automatic |
| 15 | 68722739 | 250039-932 | Chest, Valve |
| 16 | 68CJ0034 | 250027-909 | O-Ring |
| 17 | 68722414 | 250027-910 | Stud-Backhead |
| 18 | 68722389 | 250027-911 | Backhead-Bare |
| 19 | 68722463 | 250027-373 | Grip-Rubber |
| 20 | 68723013 | 250027-392 | Pin, Throttle Lever |
| 21 | 68VE9016 | 250027-374 | Nut, Backhead Stud |
| 22 | 68723110 | 250027-393 | Lever, Throttle |
| 23 | 68722381 | 250027-912 | Swivel, Air Inlet |
| 24 | 68TJ0012 | 250027-447 | O-Ring |
| 25 | 68CJ0018 | 250027-490 | O-Ring |
| 26 | 68722382 | 250027-913 | Nut, Air Inlet Swivel |
| 27 | 68524154 | 250027-914 | Coupling, Universal |
| 28 | 250015-228 | 250015-228 | Washer, Hose Coupl. |
| 29 | 68CJ0820 | 250027-915 | O-Ring |
| 30 | 68CJ0005 | 250027-378 | O-Ring |
| 31 | 68CJ0181 | 250027-431 | O-Ring |
| 32 | 02250056-403 | 250027-916 | Valve, Throttle Kit |
| 33 | 68MR1600 | 250027-380 | Spring, Throttle Valve |
| 34 | 68722583 | 69722583 | Bushing, 1" Hex w/ Fronthead |
| 35 | 68723107 | 69722886 | Retainer, Steel |
| 36 | 68722737 | 250038-958 | Plunger, Steel Ret. |
| 37 | 68MR0707 | 250032-499 | Spring, Ret. Plunger |
| 38 | 68524011 | 250027-750 | Pin, Roll-Small |
| 39-old | 68521668 | 250027-749 | Pin, Roll-Large |
| 39-new | 68723026 | | Latch Bolt |
| 40 | 68VE8162 | | Nut |