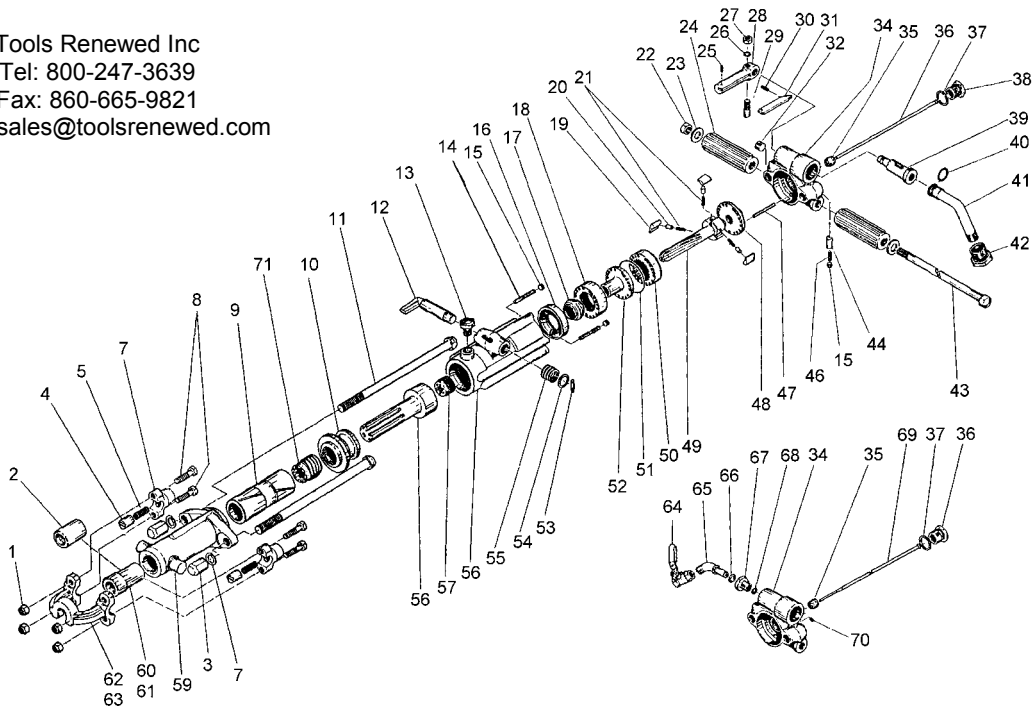


Multiquip Model MQS-155A & MQS-155B 55 lb Rock Drill

Tools Renewed Inc
 Tel: 800-247-3639
 Fax: 860-665-9821
 Email: sales@toolsrenewed.com



| INDEX NO. | PART NO. | DESCRIPTION |
|-----------|----------|---------------------------|
| 1 | 203 | NUT |
| 2 | 1778 | HEX BUSHING 7/8" X 3-1/4" |
| 3 | 868 | NUT |
| 4 | 2113 | PLUNGER |
| 5 | 2112 | BUMPER |
| 6 | 1647 | STEEL RET. HOUSING |
| 7 | 745 | WASHER |
| 8 | 1720 | BOLT |
| 9 | 1558 | SLEEVE |
| 10 | 1636 | PISTON STEM BEARING |
| 11 | 1671 | BOLT, SIDE ROD |
| 12 | 356 | VALVE, EXHAUST |
| 13 | 168 | PLUG, OIL |
| 14 | 1926 | FELT |
| 15 | 7106 | PLUG |
| 16 | 1641 | F. VALVE CHEST |
| 17 | 864 | VALVE |
| 18 | 1642 | R. VALVE CHEST |
| 19 | 862 | PAWL |
| 20 | 891 | PLUNGER |
| 21 | 1557 | SPRING |
| 22 | 861 | NUT |
| 23 | 859 | WASHER |
| 24 | 889 | GRIP |
| 25 | 4512 | PIN |
| 26 | 2107 | WASHER |
| 27 | 2108 | NUT |
| 28 | 1633 | HANDLE, THROTTLE |
| 29 | 2492 | BOLT |
| 30 | 2446 | PLUG |
| 31 | 2650 | SAFETY LEVER |
| 32 | 2026 | PLUG |
| 34 | 5899 | BACKHEAD, BARE |
| 35 | 1429 | PACKING |

| INDEX NO. | PART NO. | DESCRIPTION |
|-----------|----------|--------------------------|
| 36 | 2111 | DRY TUBE |
| 37 | 2109 | GASKET |
| 38 | 1631 | PLUG |
| 39 | 1631 | THROTTLE VALVE |
| 40 | 151 | O-RING |
| 41 | 2488 | SWIVEL, AIR INLET |
| 42 | 103 | NUT |
| 43 | 1651 | BOLT |
| 44 | 1883 | SPRING, PLUNGER |
| 46 | 1634 | SPRING |
| 47 | 1644 | PIN |
| 48 | 1630 | PLATE |
| 49 | 865 | RIFLE BAR |
| 50 | 1643 | RING |
| 51 | 2621 | WASHER |
| 52 | 1640 | GUIDE |
| 53 | 1639 | PIN |
| 54 | 1638 | WASHER |
| 55 | 1637 | SPRING |
| 56 | 2627 | CYLINDER |
| 57 | 866 | NUT |
| 58 | 867 | PISTON |
| 59 | 1645 | FRONT HEAD, BARE |
| 60 | 2285 | CHUCK BUSH 7/8 X 4-1/4" |
| 61 | 892 | CHUCK BUSHING 1 X 4-1/4" |
| 62 | 2103 | YOKE, 7/8" & 1 X 4-1/4" |
| 63 | 2593 | YOKE, 7/8 X 3-1/4" |
| 64 | 2116 | VALVE |
| 65 | 2695 | SWIVEL |
| 66 | 2074 | O-RING |
| 67 | 3487 | NUT |
| 68 | 6818 | RING |
| 69 | 2124 | WET TUBE |
| 70 | 1628 | BACKHEAD, BARE-WET |
| 71 | 2653 | CHUCK |