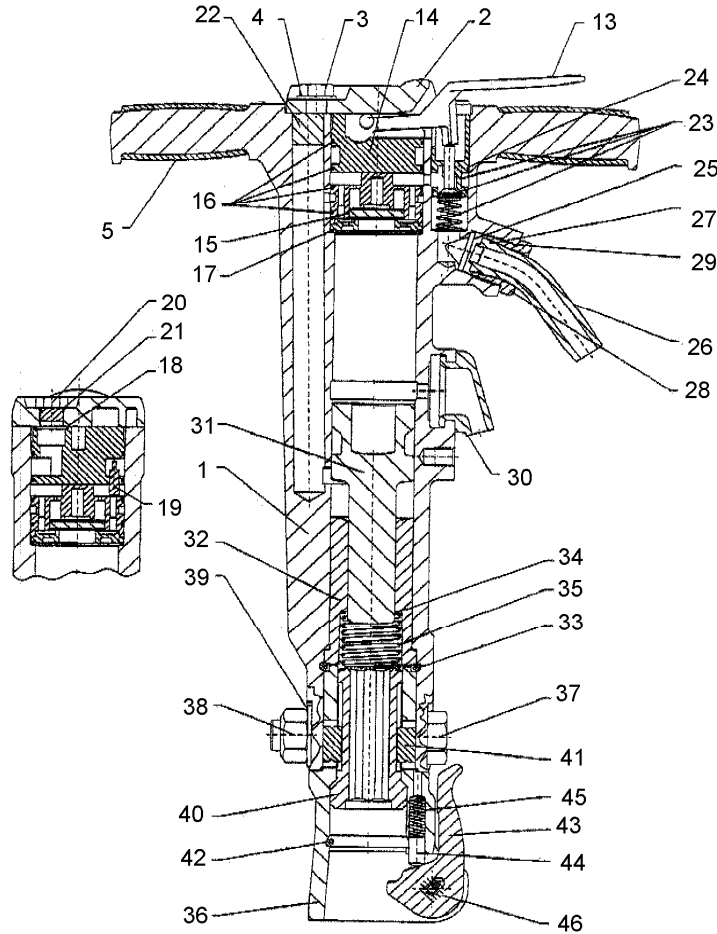


Parts for Ingersoll-Rand Models MX60 & MX90 (60 lbs & 90 lbs)



Note:
 MX60 models manufactured before November 1995 and with a lot number lower than RVL1501 include many parts that are not interchangeable. Please call for correct part numbers.

Index	Part No	Description	Index	Part No	Description
2	51943447	Back head	30	51729036	Exhaust Deflector
3	95104410	BH Bolt (4)	31	51999720	Piston (MX60) <i>*after RVL1501</i>
4	51948016	Washer (4)	31	51948388	Piston (MX90)
5	51952869	Grip (2)	32	51999738	Piston Seat (MX60)
13	51943017	Throttle Lever	32	51943462	Piston Seat (MX90)
14	51949857	Housing Plug	33	51954337	Piston Seat Retainer (MX60)
15	52082682	Valve Chest Kit (MX 60) - Gray	33	51955862	Piston Seat Retainer (MX90)
	51955391	Valve Chest Kit (MX90) - Black	34	51956506	Spring Seat
16	C6H20A-103	O-Ring	35	51952828	Anvil Bushing Spring
17	95086583	O-Ring	36	51917540	Front head
18	95018107	O-Ring	37	95749537	Front head Bolt—7/8" (MX60)
19	52089802	Filter	37	95379608	Front head Bolt—1" (MX90)
20	51370203	Oil Fill Plug	38	95477196	Front head Nut—7/8" (MX60)
21	95209870	O-Ring	38	95471165	Front head Nut—1" (MX90)
22	51983666	Rubber Plug (MX60)	39	52080736	Washer (MX60) <i>*after RVL1501</i>
	51944007	Rubber Plug (MX90)		51378438	Washer (MX90)
23	51955375	T. Valve Kit	40	51948131	Anvil Bushing 1-1/8"
24	95097705	O-Ring (2)		51943470	Anvil Bushing - 1-1/4"
25	51998367	Air Strainer	41	51944015	Anvil Bushing Upper Retainer (2)
26	51361863	Connection Nipple	42	51954337	Anvil Bushing Lower Retainer
27	95086161	O-Ring	43	51955383	Latch Kit (Incl. 43, 44, 45, 46)
28	51361798	Connection Cap	44	51945079	Plunger
29	95086112	O-Ring	45	51952836	Plunger Spring
			46	51792802	Roll Pin Kit (both pins)