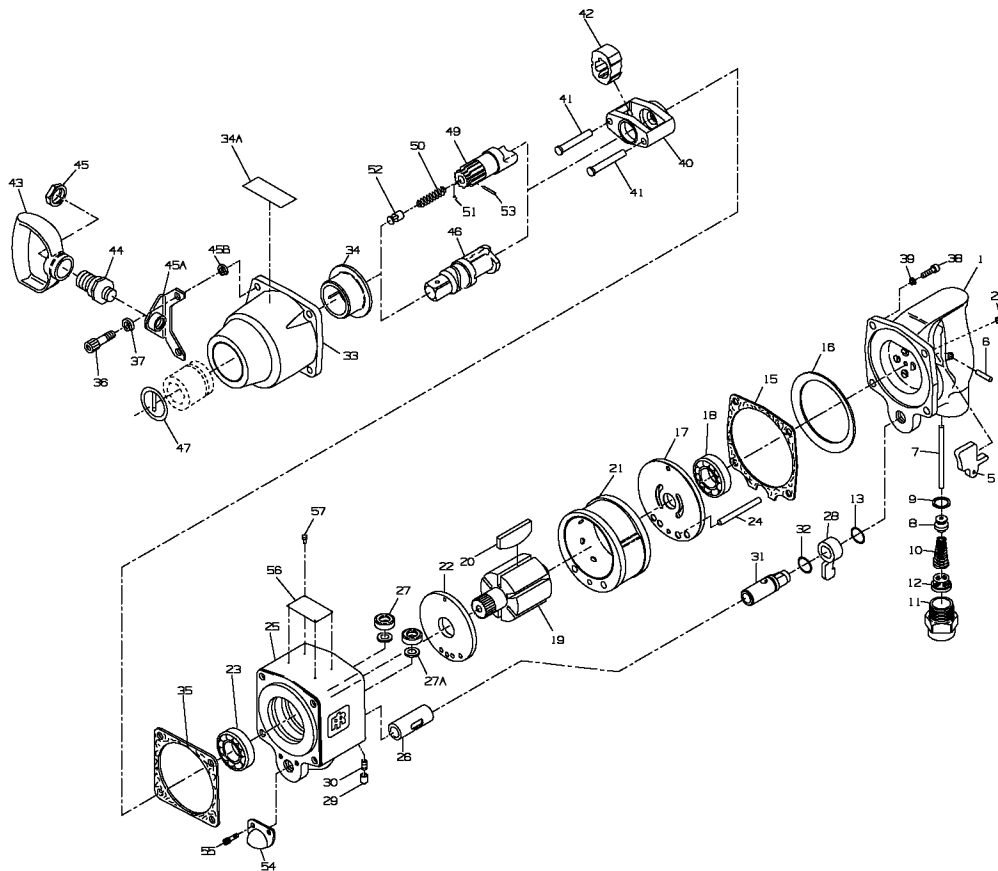


MODEL 1712B2



PART NUMBER FOR ORDERING →

PART NUMBER FOR ORDERING →

1	Inside Trigger Handle Assembly	1712-A92	◆	23	Front Rotor Bearing	810-97	
2	Grease Fitting	130SR-188		24	Cylinder Dowel	2934-98	
5	Inside Trigger	834-93A		25	Motor Housing Assembly	1712-A40	
•	6	Inside Trigger Pin	534-265	26	Reverse Valve Bushing	2934-330S	
7	Throttle Valve Plunger	2934-302	◆◆	27	Air Port Gasket (2)	R44H-210A	
8	Throttle Valve Assembly	2934-A50	◆◆	27A	Air Port Gasket Retainer (2)	2940-200	
◆◆	9	Throttle Valve Face	2934-159	28	Reverse Lever	2934-658A	
◆◆	10	Throttle Valve Spring	834-51	◆◆	29	Reverse Lock Plunger	4U-663B
11	Straight Inlet	845-565	◆◆	30	Reverse Lock Plunger Spring	4U-664	
◆	12	Air Strainer Screen	434-61	31	Reverse Valve Assembly	2934-A329	
◆◆	13	Reverse Valve Seal	R00BR-210	◆◆	32	Valve Seal	85H-167
◆◆	15	Handle Gasket	2934-283	33	Hammer Case Assembly	1712B-A727	
16	Motor Clamp Washer	2934-207	34	Hammer Case Bushing	2934-641		
17	Rear End Plate	2934-12	34A	Warning Label	WARNING-2-99		
◆	18	Rear Rotor Bearing	508-97	◆	35	Hammer Case Gasket	2934-36
19	Rotor	2934-53	36	Hammer Case Cap Screw (4)	834-638		
◆◆	20	Vane Packet (set of 6 Vanes)	2934-42-6				
21	Cylinder	2934-3					
22	Front End Plate	2934-11					

* Not illustrated.

◆ Indicates Tune-up Kit Part.

• To keep downtime to a minimum, it is desirable to have on hand certain repair parts. We recommend that you stock one (pair or set) of each part indicated by a bullet (•) for every four tools in service.

PART NUMBER FOR ORDERING

PART NUMBER FOR ORDERING

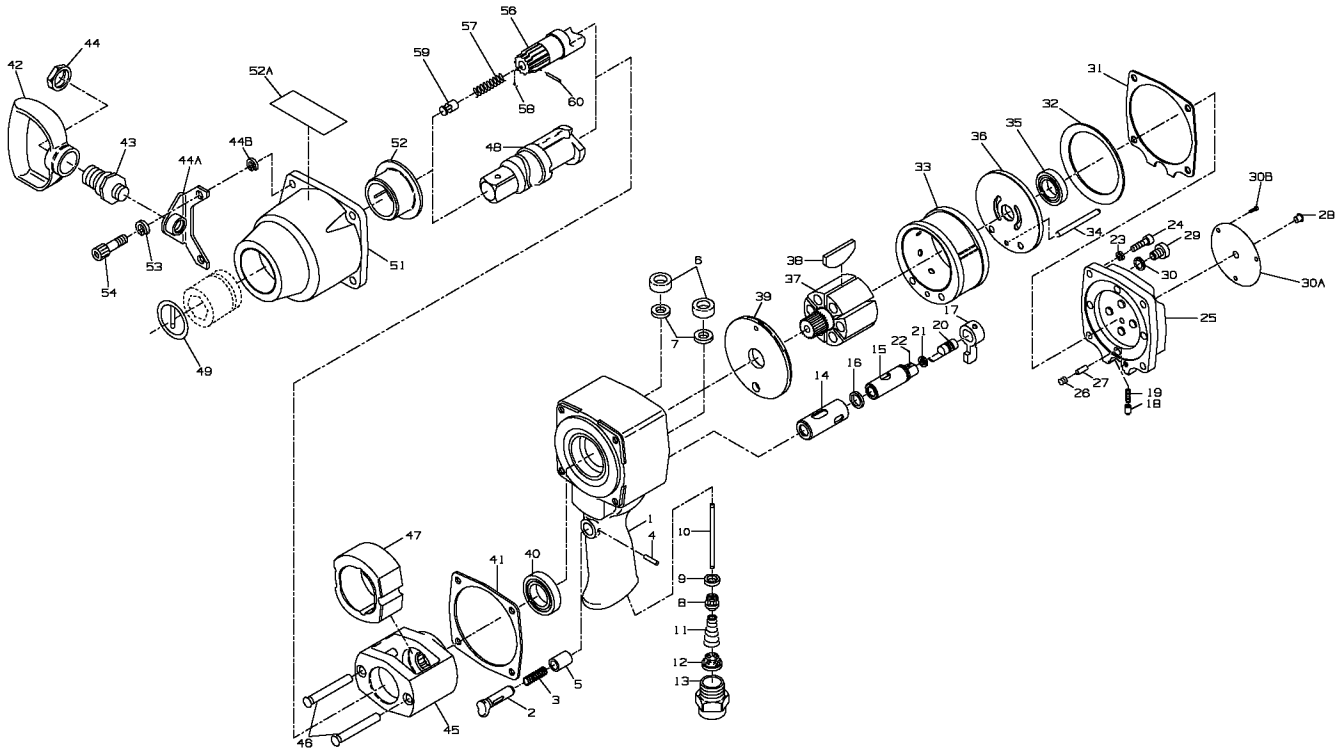
37	Hammer Case Cap Screw Lock Washer (4)	34U-58	57	Nameplate Screw (4)	C32-302
38	Handle Cap Screw (4)	510-638	*	Exhaust Deflector Kit	2934-K23
39	Cap Screw Lock Washer (4)	8U-58	*	Exhaust Baffle	2934-124
40	Hammer Frame Assembly	2934-A703	*	Gasket	2934-223
41	Hammer Pin (2)	2934-704	*	Silencer	2940P-311
42	Hammer	1712-724	*	Screw (2)	R43F-104
*	Dead Handle	834-48	*	Piped-Away Exhaust Kit with Muffler	2940-KM184
43	Side Spade Handle	T15-41		without Muffler	2940-K184
44	Side Spade Handle Stud	534-148	*	Exhaust Adapter	294-167
45	Side Spade Handle Stud Nut	107-73A	*	Exhaust Adapter Gasket	2940-30
45A	Side Spade Handle Bracket	2934-364	*	Adapter Cap Screw (2)	AL-638
45B	Side Spade Handle Bracket Spacer (2)	2934-140	*	Exhaust Hose	R21-230
46	1" Square Drive Anvil Standard Length	1712-726	*	Hose Clamp (2 for 2940-KM184; 1 for 2940-K184)	R21-31
• 47	Retainer Ring (for 1" Square Drive Anvil)	RR10015S	*	Hose Connector (for 2940-KM184	R21-185
49	Spline Drive Anvil Standard Length	1712-A526	*	Muffler (for 2940-KM184)	R21-674
	6" Extended Length	280-A514-6	*	Horizontal Hanger	2934-366
50	Retaining Plunger Spring	2940-231	*	Lube Injector	230-228
51	Socket Retaining Ball	D04-280	*	Bottle of Oil	405-M01
52	Retaining Ball Plunger	845-230	*	Grease	405-MG1
53	Plunger Retaining Pin	845-128		Tune-up Kit (includes illustrated parts 3, 9, 10, 12, 13, 15, 18, 20, 23, 27 (2), 27A (2), 29, 30, 32 and 35)	1712B/1712P-TK3
54	Exhaust Deflector	280-167			
55	Exhaust Deflector Screw (2)	W54-376			
56	Nameplate	1712-301			

* Not illustrated.

- To keep downtime to a minimum, it is desirable to have on hand certain repair parts. We recommend that you stock one (pair or set) of each part indicated by a bullet (•) for every four tools in service.

Tools Renewed, Inc
 Tel: 800-247-3639
 Fax: 860-665-9821
 Email: sales@toolsrenewed.com
 Web: www.toolsrenewed.com

MODEL 1712P2



PART NUMBER FOR ORDERING →

PART NUMBER FOR ORDERING →

1	Motor Housing Assembly	1712P-A40	22	Power Regulator Retaining Ball	AV1-255		
2	Trigger	2934P-93	23	Housing Cover Lock Washer (4)	8U-58		
3	Trigger Spring	2934P-51	24	Housing Cover Cap Screw (4) .	510-638		
5	Trigger Bushing	2905-91S	25	Housing Cover Assembly	1712P-A102		
◆◆	6	Air Port Gasket (2)	R44H-210A	26	Oiler Adjusting Screw	R2-71	
◆◆	7	Gasket Retainer (2)	2940-200	◆	27	Oiler Felt	R2-75
8	Throttle Valve	2934P-A50	28	Grease Fitting	130SR-188		
◆◆	9	Throttle Valve Face	2934-159	29	Oil Chamber Plug	R4-227	
10	Throttle Valve Plunger	2934P-302	◆	30	Oil Chamber Plug Gasket . .	R4-92	
◆◆	11	Throttle Valve Spring	834-51	30A	Nameplate	1712P-301	
◆	12	Air Strainer Screen	434-61	◆	30B	Nameplate Screws (3)	C32-302
13	Straight Inlet	845-565	◆	31	Housing Cover Gasket	2934-283	
14	Reverse Valve Bushing	2934P-330S	32	Motor Clamp Washer	2934-207		
15	Reverse Valve Assembly	2934P-A329	33	Cylinder	2934-3		
◆◆	16	Reverse Valve Seal	85H-167	34	Cylinder Dowel	2934-98	
17	Reverse Lever	2934-658A	◆	35	Rear Rotor Bearing	508-97	
◆◆	18	Reverse Lock Plunger	4U-663B	36	Rear End Plate	2934-12	
◆	19	Reverse Lock Spring	4U-664	37	Rotor	2934-53	
20	Power Regulator Assembly . . .	2934P-A249	◆◆	38	Vane Packet (set of 6 Vanes) . .	2934-42-6	
◆	21	Power Regulator Seal	R1A-159				

◆ Indicates Tune-up Kit Part.

- To keep downtime to a minimum, it is desirable to have on hand certain repair parts. We recommend that you stock one (pair or set) of each part indicated by a bullet (•) for every four tools in service.

PART NUMBER FOR ORDERING

PART NUMBER FOR ORDERING

39	Front End Plate	2934-11	53	Cap Screw Lock Washer (4) . .	34U-58
◆ 40	Front Rotor Bearing	810-97	54	Hammer Case Cap Screw (4) .	834-638
◆• 41	Hammer Case Gasket	2934-36	*	Muffler	2910-674
*	Dead Handle	834-48	56	Spline Drive Anvil	
42	Side Spade Handle	T15-41		Standard Length	1712-A526
43	Side Spade Handle Stud	534-448		6" Extended Length	280-A514-6
44	Side Spade Handle Nut	107-73A	57	Retaining Plunger Spring	2940-231
44A	Side Spade Handle Bracket	2934-364	58	Socket Retaining Ball	D04-280
44B	Side Spade Handle Bracket		59	Retaining Ball Plunger	845-230
	Spacer (2)	2934-140	60	Plunger Retaining Pin	845-128
45	Hammer Frame Assembly	2934-A703	*	Horizontal Hanger	2934-366
46	Hammer Pin (2)	2934-704	*	Lube Injector	230-228
47	Hammer	1712-724	*	Bottle of Oil	405-M01
48	1" Square Drive Anvil		*	Grease	405-MG1
	Standard Length	1712-726	*	Tune-up Kit (includes	
	6" Extended Length	280-726-6		illustrated parts 3, 6 [2], 7 [2]	
• 49	Retainer Ring (for 1" Square			9, 11, 12, 16, 18, 19, 21, 27,	
	Drive Anvil)	RR10015S		30, 31, 35, 38, 40 and 41)	1712B/1712P-TK3
51	Hammer Case Assembly	1712-A727			
52	Hammer Case Bushing	2934-641			
52A	Warning Label	WARNING-2-99			

* Not illustrated.

◆ Indicates Tune-up Kit Part.

• To keep downtime to a minimum, it is desirable to have on hand certain repair parts. We recommend that you stock one (pair or set) of each part indicated by a bullet (•) for every four tools in service.

Tools Renewed, Inc

Tel: 800-247-3639

Fax: 860-665-9821

Email: sales@toolsrenewed.com

Web: www.toolsrenewed.com