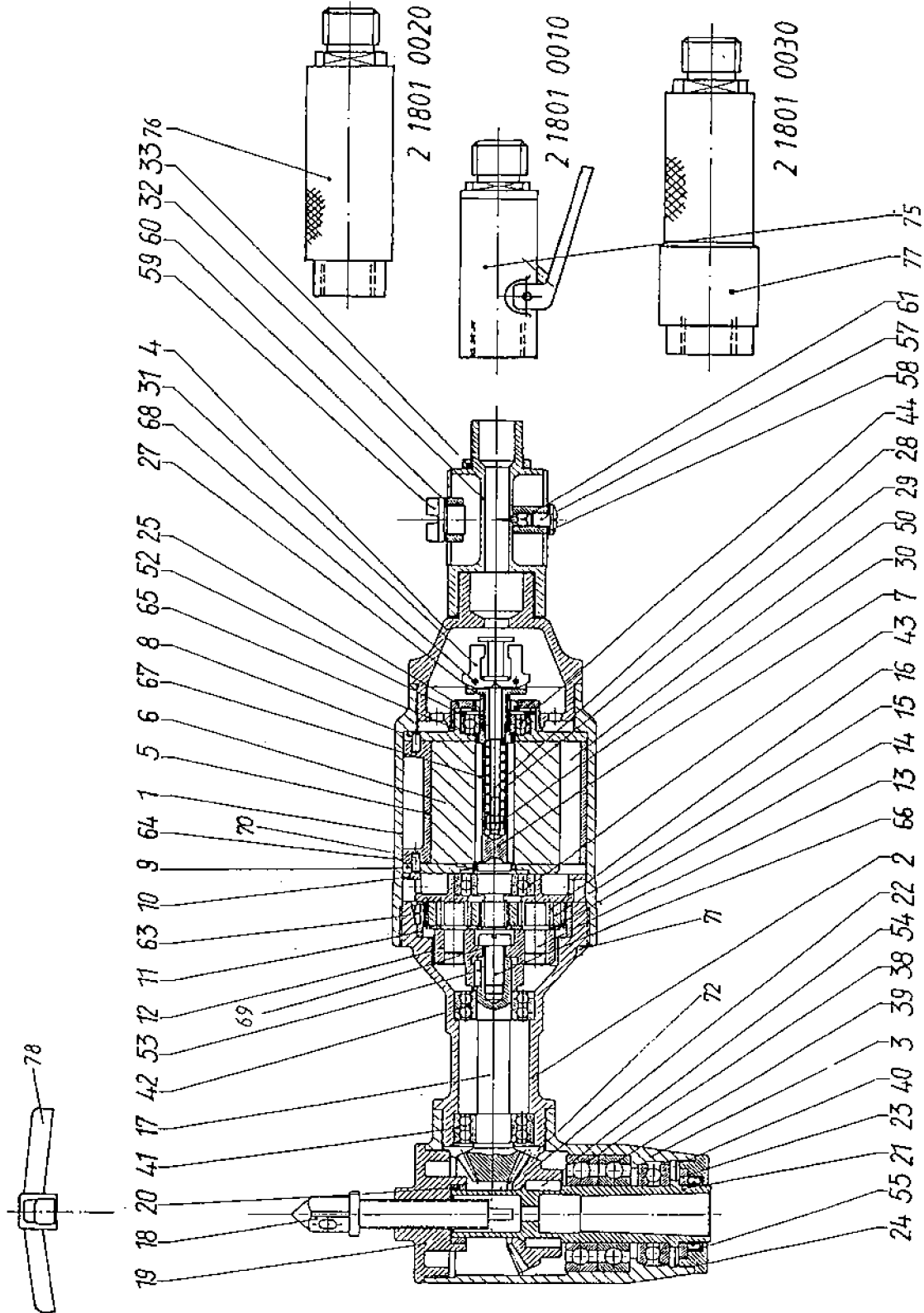
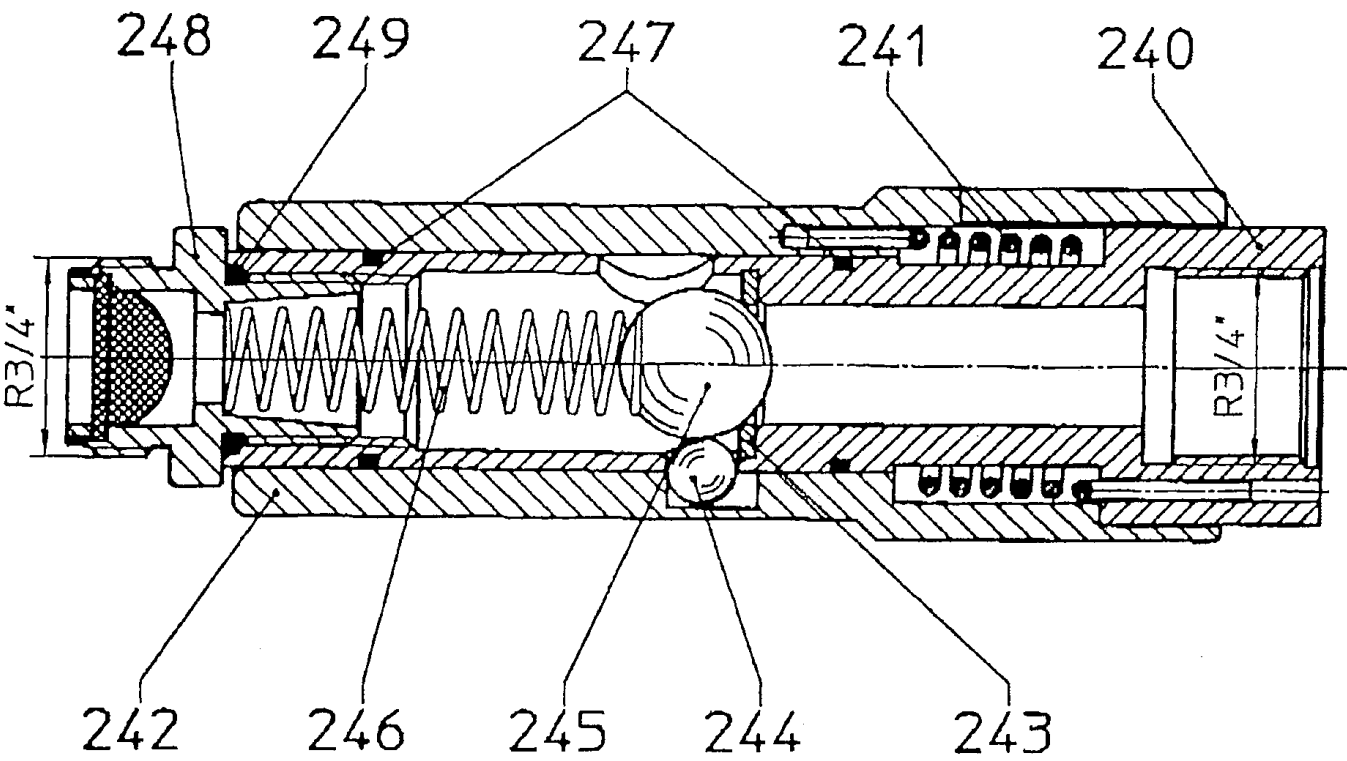


CS UNITEC, INC.

Tools Renewed Inc
Tel: 800-247-3639
Fax: 860-665-9821
Email: sales@toolsrenewed.com

Air Corner Drill - Model 2 1801 0030





Tools Renewed Inc
 Tel: 800-247-3639
 Fax: 860-665-9821
 Email: sales@toolsrenewed.com

Sach- und Zchng.-Nr.	9 2004 0030	Maßstab:
	Format: C4	1:1

*Prices to change without notice.
Not responsible for typographical errors.*

<u>POS. NO.</u>	<u>ITEM NO.</u>	<u>DESCRIPTION</u>	
	2 1801 1920	Rotor Assembly	Includes Items 6 & 7
	2 1801 2000	Governor Assy.	
	2 1805 4920	Kit, Crown Wheel & Pinion	for Corner Drill
	9 3326 1380	Balance Ring	
	9 3326 1400	Balance Ring	
	9 3331 0050	Balance Ring	
	9 3331 0630	Balance Ring	
38 + 39	9 1004 0080	Grooved Ball Bearing	
41 + 42	9 1007 0040	Bearing	
1	2 1801 1040	Motor Housing for Corner Drill	2 1801 0030
2	2 1801 4010	Gearbox Neck	
3	2 1801 7010	Gear Housing	
4	2 1801 2010	Governor Housing	
5	2 1801 1910	Cylinder Bushing Assy.	
6	2 1801 1030	Rotor	
7	2 1801 1930	Rotor Shaft Assy.	
8	2 1701 1110	End Plate	
9	2 1501 1060	End Plate	
10	2 1901 4060	Bearing Washer	
11	2 1801 4020	Rim of Gear	
12	2 1801 4910	Planet Carrier	
13	2 1801 4050	Bolt	
14	2 1801 4070	Shim	
15	2 1801 4040	Planetary Wheel	
16	9 1019 0110	Needle Bearing	
17	2 1805 4120	Pinion -CAN ONLY BE PURCHASED	AS PART OF 2 1805 4920
18	2 1801 7080	SPINDLE	
19	2 1801 7090	Feed Case	
20	2 1801 7050	Guide Ring	
21	2 1801 7920	Drilling Sleeve for #3	Corner Drill
22	2 1805 4130	Crown Wheel-CAN ONLY BE	PURCHASED AS 2 1805 4920
23	2 1801 7100	Guide Bushing	
23	9 1506 9170	Key	PART OF 2 1805 4920
24	2 1801 7060	End Cover	
25	2 1701 1940	Cap	
27	2 1801 2020	Segment Bridge	
28	2 1801 2040	Governor Pin	
29	9 1803 0080	Pressure Spring	
30	9 1203 0030	Nut Hexagon	
31	2 1901 2030	Governor Weight	
32	9 2401 0110	Oiler Assy.	
40	9 1020 0040	End Thrust Bearing	
44	9 1004 0030	Bearing	
50	2 1801 1050	Vane	

Tools Renewed Inc
Tel: 800-247-3639
Fax: 860-665-9821
Email: sales@toolsrenewed.com

*Prices to change without notice.
Not responsible for typographical errors.*

POS. NO.	ITEM NO.	DESCRIPTION	
52	9 1703 0110	Retaining Ring	
54	9 1501 5120	Feather Key	
55	9 1905 0080	Radial Shaft Sealing	
57	9 1150 9020	Filler Plug, Old # 9 1150 9070	3-13-05-208-00-0
58	9 1903 0260	Sealing Ring	3-13-05-210-00-6
59	9 1150 9140	Plug	Replaces 9 1150 9060
60	9 1903 0270	Ring	
61	9 1151 9010	Screw	3-13-05-209-00-4
63	9 1501 3080	Feather Key	
64	2 1701 1080	Spacer	
65	1 1501 1080	Spacer	
66	9 1150 9210	Screw	
67	9 1501 3420	Feather Key	
68	9 1619 0150	Pin	3-13-05-268-00-4
69	9 3318 0010	Toothed Lock Washer	
70	9 1630 0140	Clip	Replaces # 9 1626 0070
72	9 3403 0010	Grease Nipple	
77	9 2004 0030	Twist Throttle, Self-Closing	
78	2 1401 9030	Capstan	
240	2 1701 3010	Valve Housing	
241	9 1807 0020	SPRING FOR THROTTLE	
242	2 1701 3910	Turning Case	
243	9 1903 0240	Seal	3-13-05-204-00-1
244	9 1017 0060	Ball	3-13-05-202-00-9
245	9 1017 0070	Ball	3-13-05-203-00-3
246	9 1803 0090	Spring	3-13-05-205-00-5
247	9 1901 3170	O Ring	3-13-05-206-00-8
248	9 2205 1180	Nipple	3-13-05-207-00-2
249	9 1901 3860	O-Ring	
250	9 2205 0570	Nipple	

Tools Renewed Inc
Tel: 800-247-3639
Fax: 860-665-9821
Email: sales@toolsrenewed.com