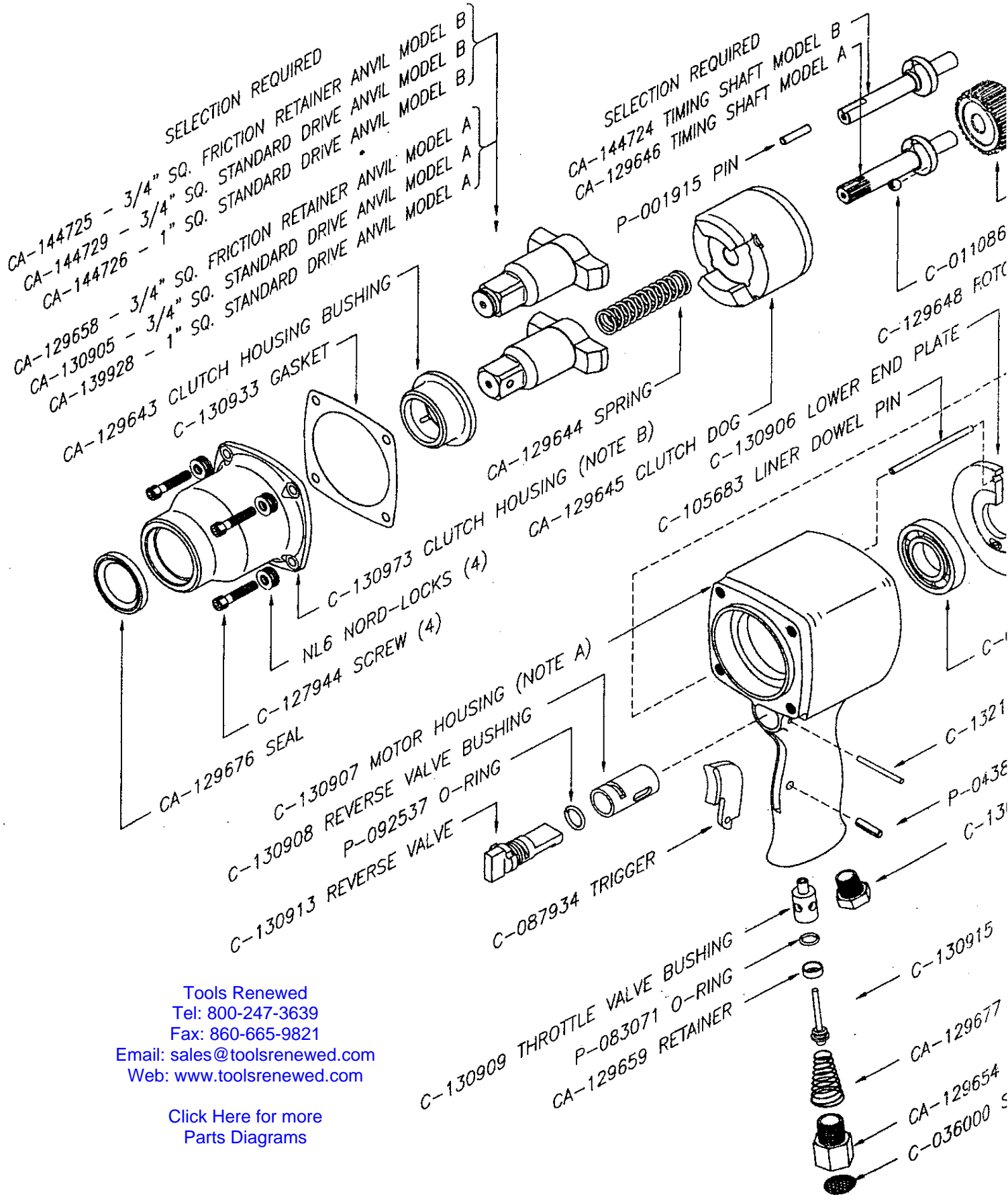


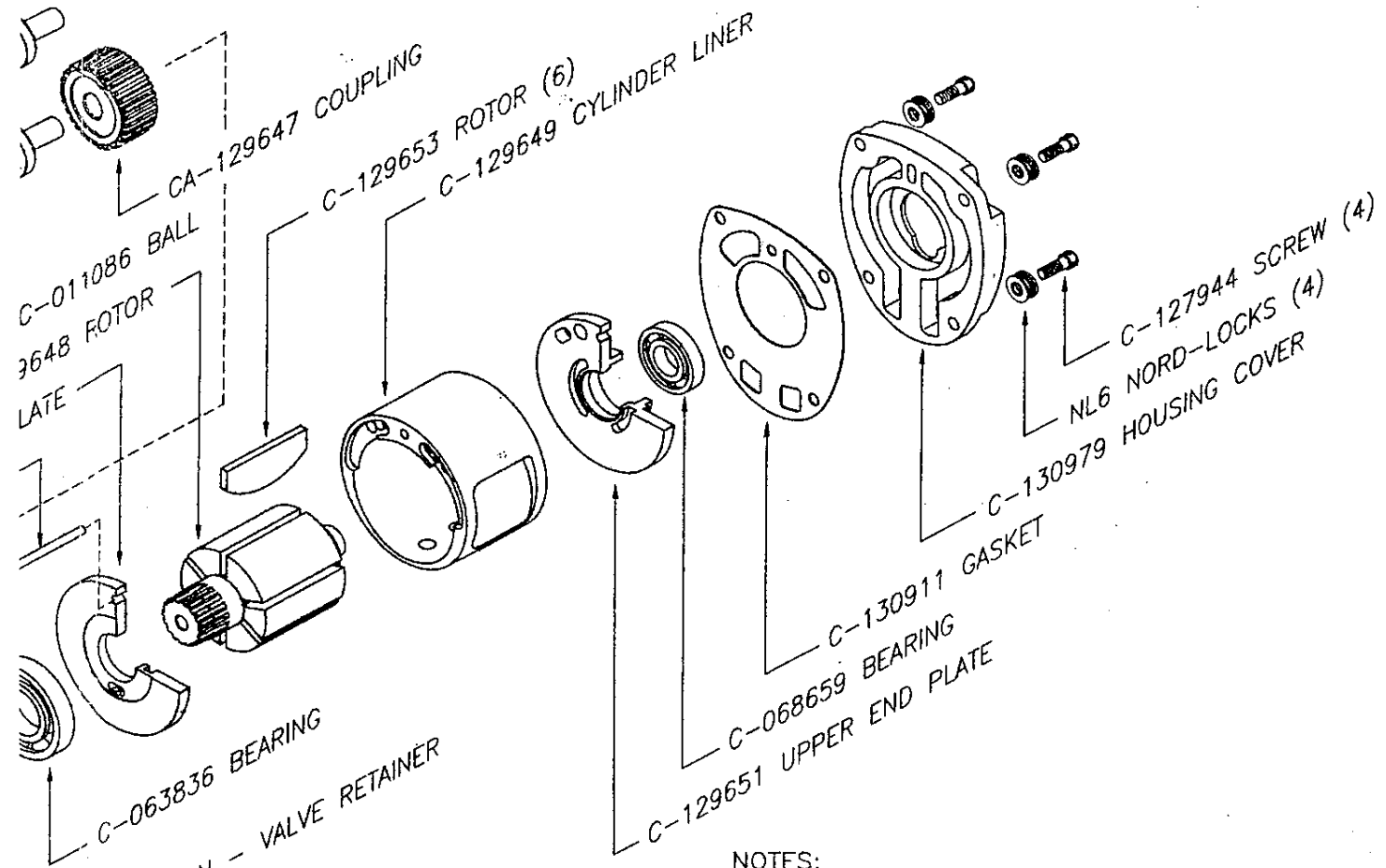
Chicago Pneumatic 6060 Model "A" and 6060 Model "B" 3/4" and 1" Impact Wrench



Tools Renewed
 Tel: 800-247-3639
 Fax: 860-665-9821
 Email: sales@toolsrenewed.com
 Web: www.toolsrenewed.com

[Click Here for more Parts Diagrams](#)

Chicago Pneumatic 6060 Model "A" and 6060 Model "B" 3/4" and 1" Impact Wrench



- C-132130 PIN - VALVE RETAINER
 - P-043882 PIN - TRIGGER
 - C-130921 EXHAUST DIFFUSER
 -130915 THROTTLE VALVE ASSEMBLY
 -129677 VALVE SPRING
 -129654 AIR INLET (NOTE C)
 -036000 STRAINER - AIR

NOTES:

- (A) C-130907 MOTOR HOUSING INCLUDES:
 C-130908 REVERSE VALVE BUSHING
 C-130909 THROTTLE VALVE BUSHING
- (B) C-130979 CLUTCH HOUSING INCLUDES:
 CA-129676 OIL SEAL
 CA-129643 HOUSING BUSHING
- (C) CA-129654 AIR INLET INCLUDES
 C-036000 AIR STRAINER
- (D) C-138254 ZINC "ZAMAC" MOTOR HOUSING INCLUDES:
 C-130908 REVERSE VALVE BUSHING
 C-130909 THROTTLE VALVE BUSHING
- (E) C-138255 ZINC "ZAMAC" HOUSING COVER
- (F) CURRENT PRODUCTION TOOLS ARE:
 "B MODEL" VERSIONS ONLY.
 "A MODEL" PARTS ARE "SPARES ONLY"
- (G) C-145296 #4 SPLINE ANVIL "B MODELS" ONLY.

Tools Renewed
 Tel: 800-247-3639
 Fax: 860-665-9821
 Email: sales@toolsrenewed.com
 Web: www.toolsrenewed.com

[Click Here for more
 Parts Diagrams](#)