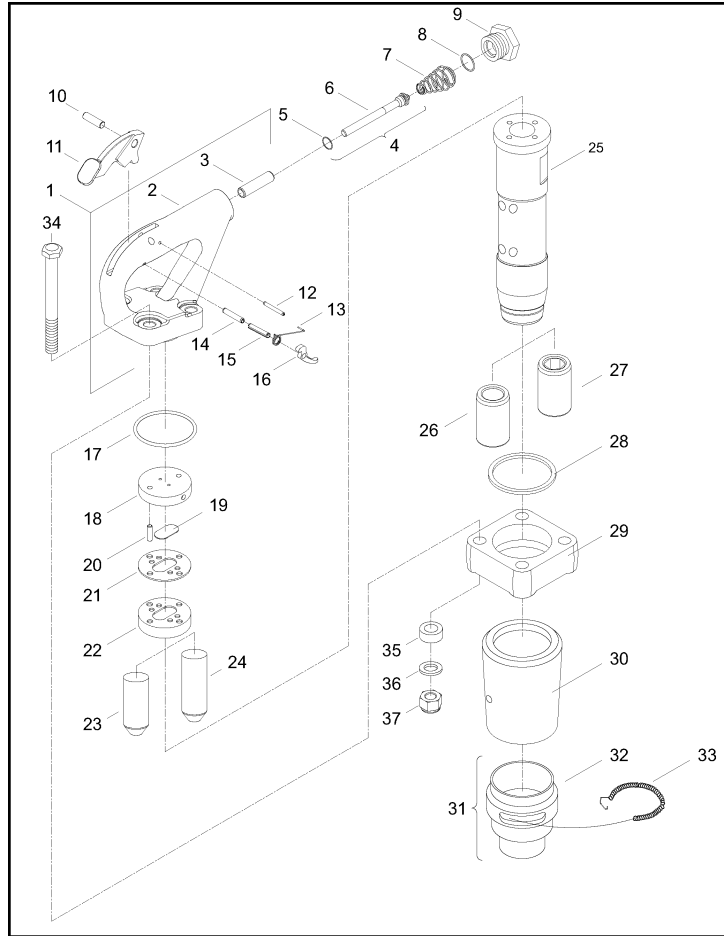


**Chicago Pneumatic Model 4130 Chipping Hammer (15 lb)**



1	Z8342857	Handle (Includes item No. 2 & 3)	20	A041797	Pin - Dowel
2		Handle	21	P071352	Case - Valve
3		Throttle valve Bush	22	P071351	Lid - Lower valve case
4	R157957	Throttle valve (Includes item No. 5 & 6)	23	P118662	Piston - 3"
5	R138140	O-ring (Throttle valve)	24	P118678	Piston - 4"
6		Throttle valve	25		Cylinder
7	R157960	Throttle valve spring	26	P001550	Bushing - Round
8	C046471	O-ring (Air inlet bushing)	27	P001551	Bushing - Hex
9	R085595	Air inlet bushing	28	R157952	Ring - Clamp
10	A043627	Pin - Lever	29	R157951	Flange - Cylinder
11	R157990	Lever	30	P155535	Muffer
12	G071660	Pin - Stop ( 1/8" )	31	P107243	Sleeve - Retainer (Incl. item No. 32 & 33)
13	R157956	Lock-off spring	32	P070994	Spring - Lock coil
14	R158137	Pin - Lock-off trigger (5/32")	33		Sleeve - Retainer
15	R158138	Pin - Lock-off trigger (3/32")	34	R157954	Bolt
16	R157955	Lock-off trigger	35	R155421	Bumper
17	C116352	O-ring	36	R158143	Washer
18	P071350	Lid - Upper valve case	37	R157953	Nyloc nut
19	P071358	Valve			