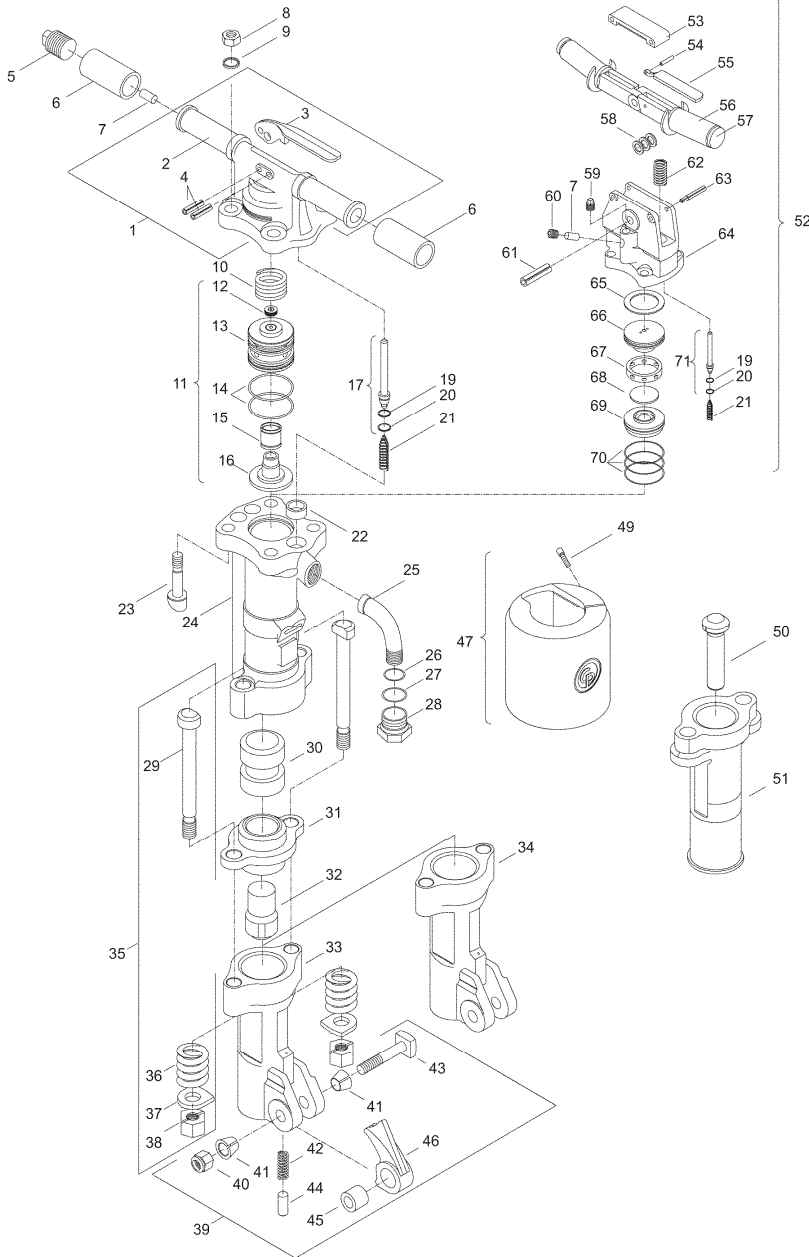


CP-1230 & 1230S DEMOLITION TOOL & SPIKE DRIVER (60 lbs)



Index	Part No.	Description
1	F815390	Back head Assy (No. 2 - 5)
2	F815265	Back head
3	F814725	Lever - Throttle
4	R133433	Pin - Spirol
5	R075031	Plug - Oil
6	F816345	Grip - Rubber
7	C036901	Plug - Oil regulator
8	R006131	Nut - Hex.
9	P006239	Lock washer
10	R047961	Spring - Valve case
11	R122157	Valve Assy (No. 12—16)
12	C054897	Plug - Pipe
13	R047958	Case - Valve
14	R049854	O-ring
15	R047959	Valve
16	R047960	Lid - Valve case
17	R092894	Valve - Throttle
19	R098368	Seal - Throttle valve
20	R098369	Ring - Valve seal retaining
21	R005717	Spring - Throttle valve
22	R047965	Seal - Cylinder
23	R047962	Bolt - Backhead
25	R085269	Swivel - Air inlet
26	R110317	O-ring
27	P103521	O-ring
28	R000530	Nut - Inlet swivel
29	R047970	Bolt - Fronthead
30	R047967	Piston
31	R047966	Bushing - Anvil block
32	R085260	Block - Anvil
33	R047969	Fronthead (1 1/4" Hex.)
34	R047968	Fronthead (1 1/8" Hex.)
35	Z3628445	Side bolt kit, (one pair bolt assy)
36	R047971	Spring - Fronthead
37	R090584	Lock - Fronthead nut
38	R005721	Nut - Fronthead bolt
39	Z8319445	Latch kit (No. 40 - 46)
40	P008999	Lock nut
41	R076562	Bushing - Retainer bolt
42	R086982	Spring - Plunger
43	R076853	Bolt - Latch
44	R092497	Plunger - Latch
45	R055818	Bushing
46	R092493	Latch - Retainer
47	K3216445	Muffler Complete
49	R117415	Screw - Allen cap
50	R085573	Block - Driving
51	R053916	Front head (Spike driver)
52	R145776	Back head Assy.
53	R157669	Cover - Buffer
54	R145866	Pin - Lever
55	R145781	Lever
56	R145788	Grip
57	R145780	Handle
58	R145861	Steel washer
59	R004975	Oil - Plug, square head
60	Q3217400	Plug
61	0108153500	Pin - Roll
62	R145863	Spring
63	R157670	Pin - Stepped
65	R146817	Gasket
66	R137339	Upper valve lid
67	R137337	Valve case
68	R137338	Valve
69	R145785	Lower valve lid
70	C137341	O-ring
71	R145782	Throttle Valve

For Complete Latch Assy. Use Part Number: **Z8319445**
 Includes: 39, 40, 41, 42, 43, 44, 45



For (1) Complete Side Rod Assy. Use Part Number: **SKIT-CP1230**
 Includes: 50, 51, 52, 53

